

WALLMEK®

INVEST IN TIME



VERSION 4

HD TRUCK, BUS, TRAILER AND CONTRACTING



OUR TOOLS SAVE TIME

Wallmek i Kungälv AB started 1978, designing and producing special tools for auto repairs. Wallmek goes all the way from idea and design to production and distribution of a high quality product to our customers.

Today, Wallmek develops and produces special tools directly to passenger car and commercial vehicles producers (OEM) and to auto shops on the aftermarket. We excel in hydraulic tools and solutions that will do the job directly on the vehicle. Also, drainage equipment to ensure safety when doing fuel tank jobs in auto shops or draining complete vehicles at the scrapyard.

As the company's grows, more and more tools and solutions are put on the market thanks to our close contact with you (our customers). In short terms – We develop Wallmek in the direction of the products and solutions we are good at.

Our mission:

To develop, produce and offer cost efficient quality tools to our customers.

Important for Us:

Quality, Design, and Customer care.



WALLMEK

INVEST IN TIME

Save Time and Effort with the Right Tools

After years on the road, water, dirt, salt, and wear and tear can turn even the simplest vehicle repairs into time-consuming challenges. With a properly designed and efficient tool system, countless hours can be saved every day in the workshop.

Prioritizing Safety and Efficiency

Modern workshops demand skilled and experienced technicians who can perform their jobs safely and without injury. Ergonomics and a well-designed working environment are essential to retaining top talent and keeping them passionate about their work. A safe and comfortable workplace boosts productivity, enhances morale, and fosters the development of advanced skills over time.

An Investment, Not a Cost

The right tools are not an expense—they are an investment in your team's potential to complete jobs faster, safer, and more efficiently. The most costly tool is the one that fails to perform or breaks at a critical moment, leading to wasted time and frustration.

Choose Wallmek – Accept No Substitutes

When it comes to quality, there's no substitute for the original. Look out for imitations that claim to deliver the same performance—they don't. Genuine Wallmek tools are engineered for reliability and durability, and every tool proudly carries our name. Choose Wallmek to ensure you're getting the best, every time.



WE ARE WALLMEK

Innovative Solutions for Workshops

Wallmek i Kungälv AB has over 40 years of experience in developing and manufacturing specialized tools for the automotive industry. Our products are designed to make mechanics' work easier by saving time, reducing workload, and delivering optimal results. All our tools are developed in close collaboration with industry experts and mechanics to meet high standards of functionality and ergonomics.

Customer-Centric Approach

We always put the customer first. With fast and personalized service, we help our customers find the right solutions for their workshop, whether it's advice, technical support, or orders. Our products

contribute to a more efficient work environment and sustainable results.

Global Recognition

Wallmek is a trusted partner for workshops in Sweden and internationally. Our tools are exported to over 30 countries, and we have maintained a strong presence in Europe and North America. Our customers know that investing in Wallmek means acquiring products of the highest quality, proudly manufactured in Sweden.

Choose Wallmek – a partner that makes a difference in your daily work and save time.



Follow us on social media! Get News, tips and ideas first!



Welcome to Wallmek

The information "patent pending", regarding patent applications for certain products in this brochure, only concerns the patent application numbers. (and markets covered by that patent application) explicitly stated in the immediate connection with patent pending indication. With reservation for possible adjustments due to events that are out of our control, for printing errors and changes in design.

Address:

Wallmek i Kungälv AB
Barnbergsgatan 35
442 40 Kungälv, Sweden.

Telephone:

+46 (0) 303 585 80

E-mail:

info@wallmek.se

Org No: 556566-7333

VAT: SE556566733301

32T CYLINDER 03-00028, page 42



KINGPIN
page 10-16

BUSHINGS
page 28-33

45T CYLINDER 03-00026, page 41



WHEEL/HUB ETC.
page 17-23

70T CYLINDER 03-00044, page 40



KINGPIN
page 10-16



WHEEL/HUB ETC.
page 17-23

03-00031 Universal set, page 10

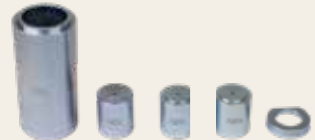


Add on sets

03-00031-220 (Mercedes), page 14



03-00031-300 (MAN TGA, TGX, TGS), page 14



03-00031-200 (BPW & SAF), page 15



03-00006-022
(Volvo), page 16



03-00006-023
(Volvo), page 16



03-00006-024
(Scania), page 16



03-00048-050
(ZF), page 16



Mounting tool

03-00037 (slotted bushings),
page 28



Bushing set

03-00038 (with fixing plate)
page 29



03-00006-025 Extender, page 20



Hub puller

03-00020 (Wheel bearing set Scania) page 17



03-00016, page 20



03-00022 (17,5" rims, low trailers) page 21



03-00027 (Hub without wheel bolts), page 21



Spring bolt set

03-00008 (Scania) page 23



03-00048 Universal set, page 12



Add on sets

03-00048-220 (Mercedes), page 14



03-00048-300 (MAN TGA, TGX, TGS), page 14



03-00048-200 (BPW & SAF), page 15



03-00006-025 Extender, page 20



Hub puller

03-00016 page 20



03-00022 (17,5" rims, low trailers) page 21



03-00027 (Hub without wheel bolts), page 21



Hydraulic lifting device for tools, hubs/wheels

HLD2025

This high-capacity, mobile lifting device is designed for use in truck and bus shops, eliminating the need for heavy lifting. Its design ensures maximum access and flexibility, allowing for ergonomically correct work on trucks, trailers, and buses.

Heavy lifting combined with poor posture poses significant risks to both the working environment and the health of mechanics.

The adjustable lifting arm for the press frame offers excellent access when replacing components like the kingpin.

With this unit, you can effortlessly remove hubs.

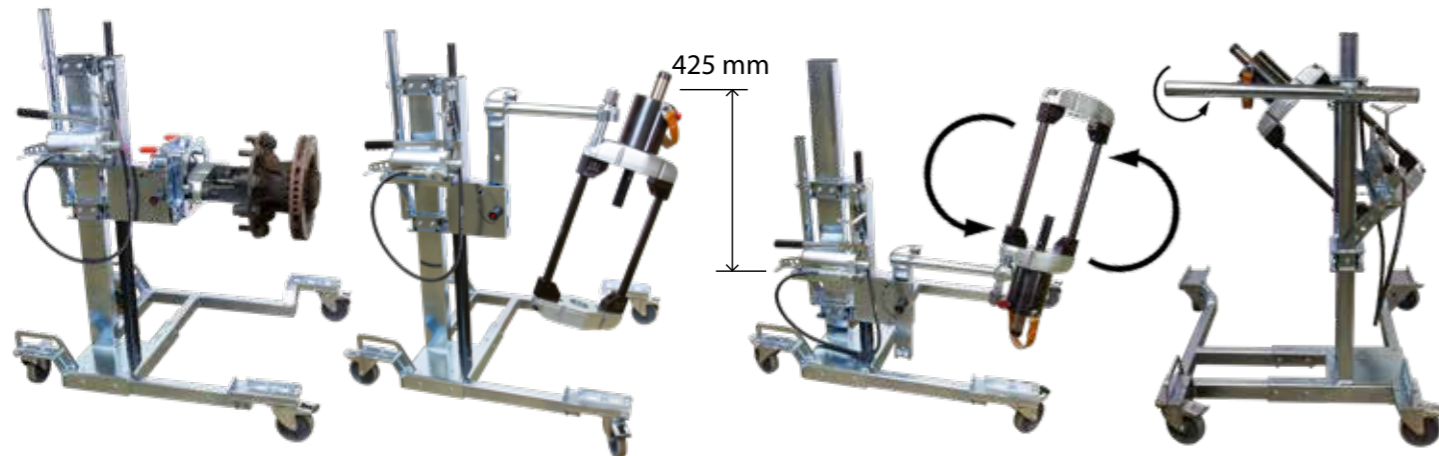
The provided tool fixture holds existing tools securely for hub/wheel removal. It allows for the ergonomic and safe lifting of heavy hubs, whether they include brake discs or dual wheels with brake drums, making the process much easier and safer for workers.



350 kg lifting capacity



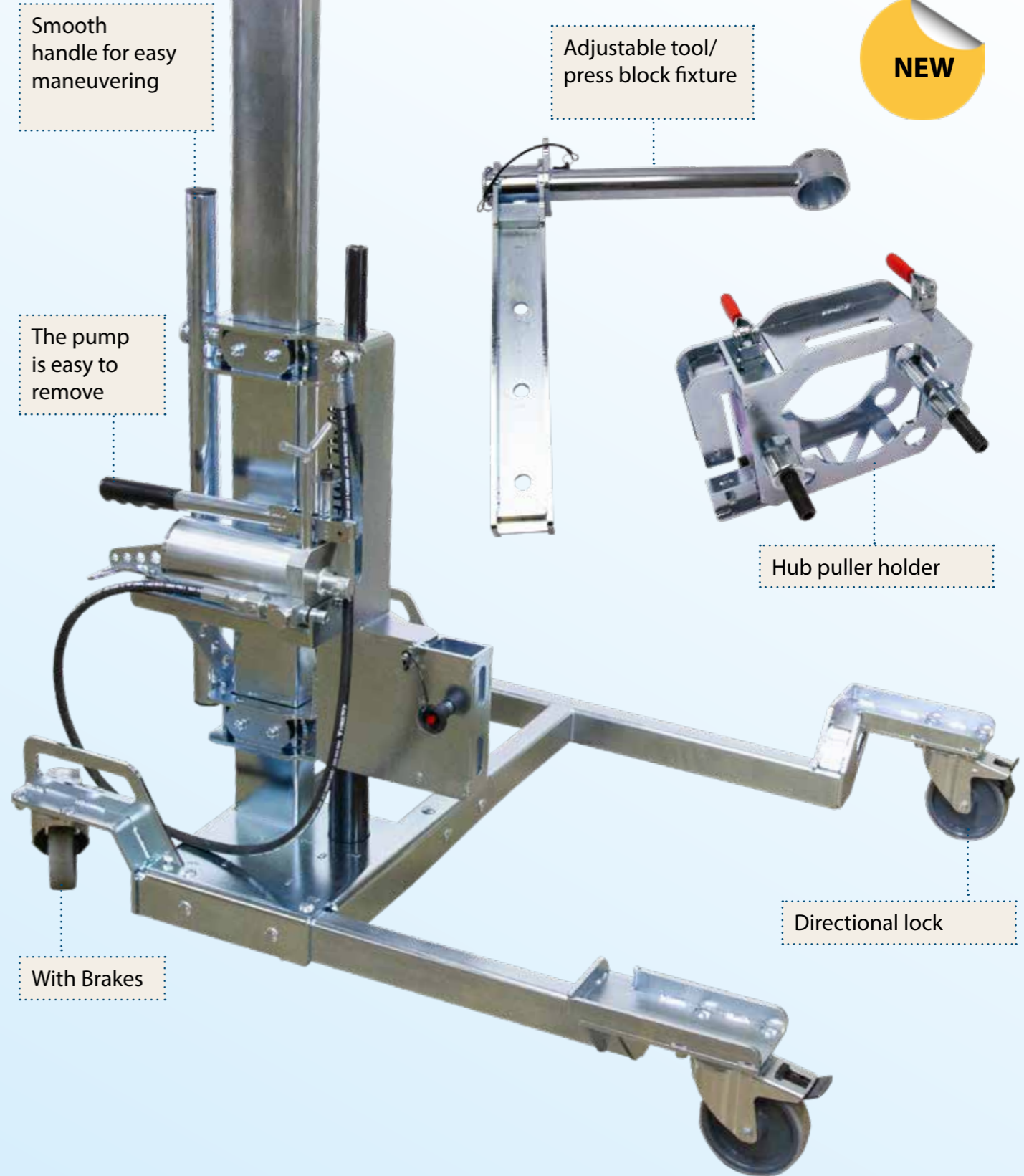
32T ✓ 45T ✓ 70T ✓



The rear handles provide extra support when installing the hub onto the wheel axle

Hydraulic lifting device for tools, hubs/wheels

HLD2025



The Occupational Safety and Health Act must be followed for everyone's safety!

The workshop becomes more profitable, the staff healthier, the work gets done safer and faster with the right equipment! The lifter can be supplemented with additional accessories and tools.

CE marked product for maximum safety!

The product meets EU health, environmental, and safety requirements.

Wheel Stud Extension

HLD2025-140

Add-on Kit with 4 Extensions for Truck/trailers

This kit is used when removing wheels together with the hub and brake drum, in cases where the original wheel bolts are too short to properly connect the hub puller 03-00016. It makes the job smoother, reduces the risk of damage, and enables a safer and more efficient disassembly process.

To be used together with HLD2025 and 03-00016-32T/45T/70T.



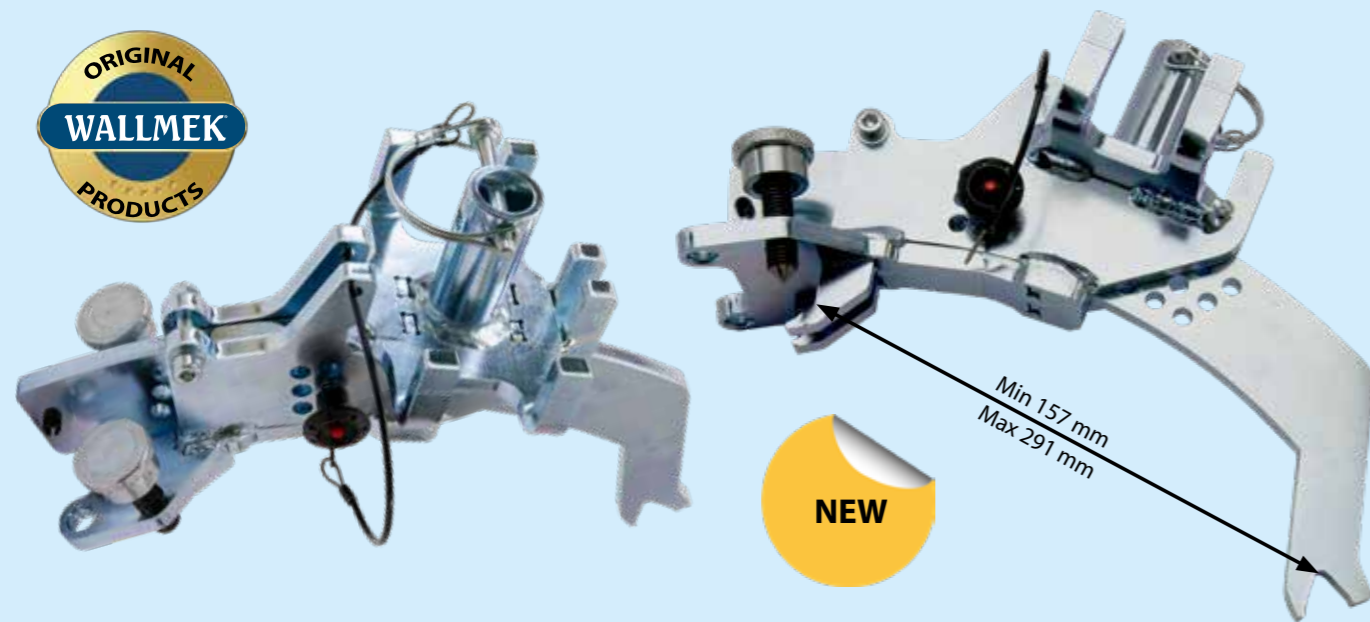
Universal brake caliper holder for HLD2025

HLD2025-150

This new accessory is a robust and versatile brake caliper holder, developed to complement the hydraulic lift HLD2025.

Regardless of make, the holder is universally adapted to fit most brake calipers for heavy vehicles such as trucks, trailers, and buses. Easily mounted in the lift's adjustable tool/press block fixture and enables ergonomic and safe handling when removing and installing brake calipers. The sturdy construction keeps the brake caliper in the correct position during work, which reduces the risk of incorrect loading, accidents, and wear and tear on the mechanic.

An indispensable tool in modern workshops where safety, work environment and efficiency are the focus.



In use



ERGONOMIC & POWERFUL



"The workshop becomes more profitable, the staff healthier, the work safer – with the right equipment!"

Wallmek's new hydraulic lifting device HLD2025 is designed to streamline heavy lifting tasks in the workshop – without compromising safety.

With a lifting capacity of 350 kg and high maneuverability thanks to four swivel casters (front wheels lockable), it makes working with hubs, wheels, and steering knuckles both safer and more ergonomic.

The lifting unit is built to reduce strain on mechanics during service on heavy vehicles such as trucks, trailers, and buses. The adjustable lifting

arm provides free access when, for example, replacing a king pin, and the included tool mount allows for smooth disassembly of heavy hubs – even with brake discs or dual wheels attached.

The pump is detachable and can be used directly on the floor for operations in tight spaces. The HLD2025 is CE-marked and meets EU standards for safety, environment, and health.

Universal set for Kingpin

03-00031-32T

This set is designed to cover most Kingpins on the market, also the conical types.

It's used with 32 ton hydraulic cylinder designed with punching capability. This function makes it possible to hammer on the cylinder (with punch adapter fitted) during maximum pressure. The combination of high pressure and vibrations is very efficient and often crucial for a successful result. With this tool, heating or heavy lifting in the shop press is no longer needed. The compact design makes it possible to do the job on busses where the access is limited.

The set is used with the brand specific add on kits that are also available.

Use with 32 ton hydraulic cylinder (03-00028)

Parts in the set

Pressblock 03-00031-001:

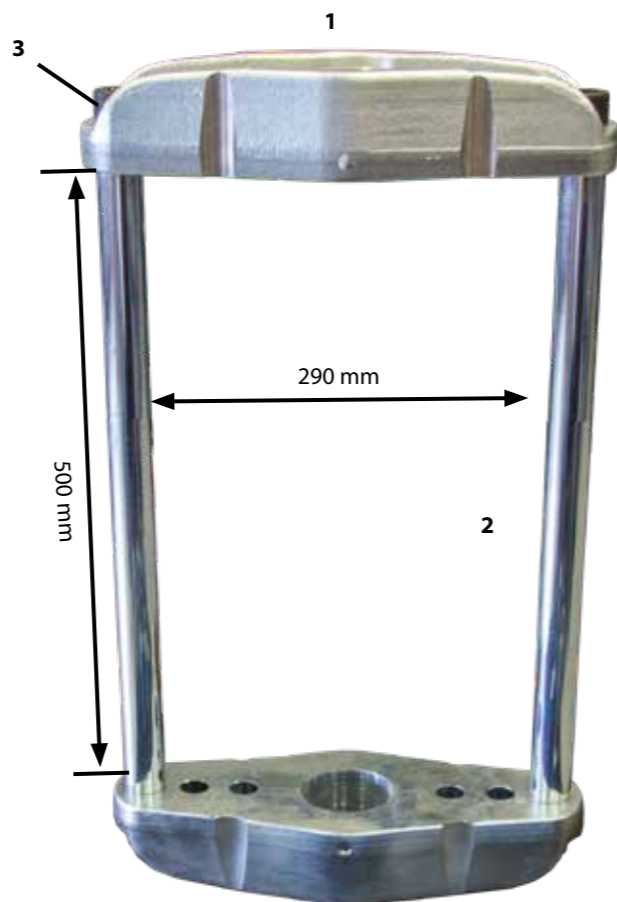
1. (2x) 03-00031-002 - Plate with thread
2. (2x) 03-00003-004 - Support rod 500 mm
3. (4x) 03-00003-005 - Screw M22x60 12.9

Individual details in this set:

4. 03-00048-030 - Adapter plate
5. 03-00048-031 - Press pipe 42 mm
6. 03-00048-032 - Press pipe 85 mm
7. 03-00048-033 - Press pipe 130 mm
8. 03-00048-034 - Press pipe
9. 03-00048-035 - Press socket
10. 03-00006-020 - Press axle L=30 mm Ø31mm
11. 03-00006-002 - Press axle L=120 mm Ø31 mm
12. 03-00006-001 - Press axle L=230 mm Ø31 mm

32T

EU Protected Design - RCD No. 003068006-0001/0002



Universal set for Kingpin

03-00031-45T

This set is designed to cover most Kingpins on the market, also the conical types.

It's used with 45 ton hydraulic cylinder designed with punching capability. This function makes it possible to hammer on the cylinder (with punch adapter fitted) during maximum pressure. The combination of high pressure and vibrations is very efficient and often crucial for a successful result. With this tool, heating or heavy lifting in the shop press is no longer needed. The compact design makes it possible to do the job on busses where the access is limited. The set is used with the brand specific add on kits that are also available.

Use with 45 ton hydraulic cylinder (03-00026)

Parts in the set 03-00031-45T:

Pressblock 03-00031-001:

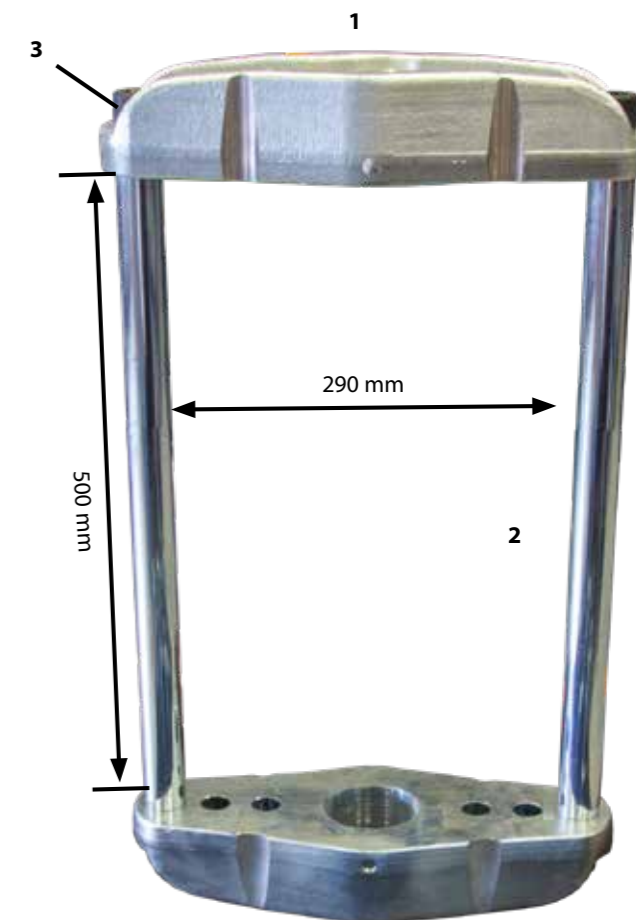
1. (2x) 03-00031-002 - Plate with thread
2. (2x) 03-00003-004 - Support rod 500 mm
3. (4x) 03-00003-005 - Screw M22x60 12.9

Individual details in this set:

4. 03-00048-030 - Adapter plate
5. 03-00048-031 - Press pipe 42 mm
6. 03-00048-032 - Press pipe 85 mm
7. 03-00048-033 - Press pipe 130 mm
8. 03-00048-034 - Press pipe
9. 03-00048-035 - Press socket
10. 03-00032-001 - Press axle M30, L=30, Ø38 mm
11. 03-00032-002 - Press axle M30, L=140, Ø38 mm
12. 03-00048-042 - Press axle L=50, Ø38 mm
13. 03-00048-043 - Press axle L=70, Ø38 mm
14. 03-00048-044 - Press axle L=100, Ø38 mm

45T

EU Protected Design - RCD No. 003068006-0001/0002



In use

"Without this equipment for kingpins, we normally spend 2 – 3 days doing this job. The universal design makes it possible to do even other jobs more efficiently."

-Per Klasson, Fristads Expressbyrå, Sweden



In use



Universal set for Kingpin

03-00048

This upgraded set is designed to cover most Kingpins on the market with 70 tons and punching capability also the conical types.

It's used with 03-00044, 70 ton hydraulic cylinder designed with punching capability. This function makes it possible to hammer on the cylinder (with punch adapter fitted) during maximum pressure. The combination of high pressure and vibrations is very efficient and often crucial for a successful result. With this tool, heating or heavy lifting in the shop press is no longer needed. The compact design makes it possible to do the job on busses and trailers where access is limited.

The set is used with the brand specific sets add on kits that are also available.

Use with 70 ton hydraulic cylinder (03-00044)
Parts in the set 03-00048:
Pressblock 03-00048-020:

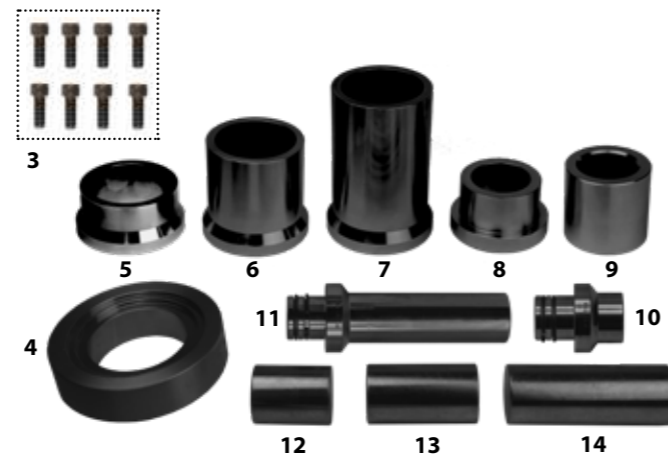
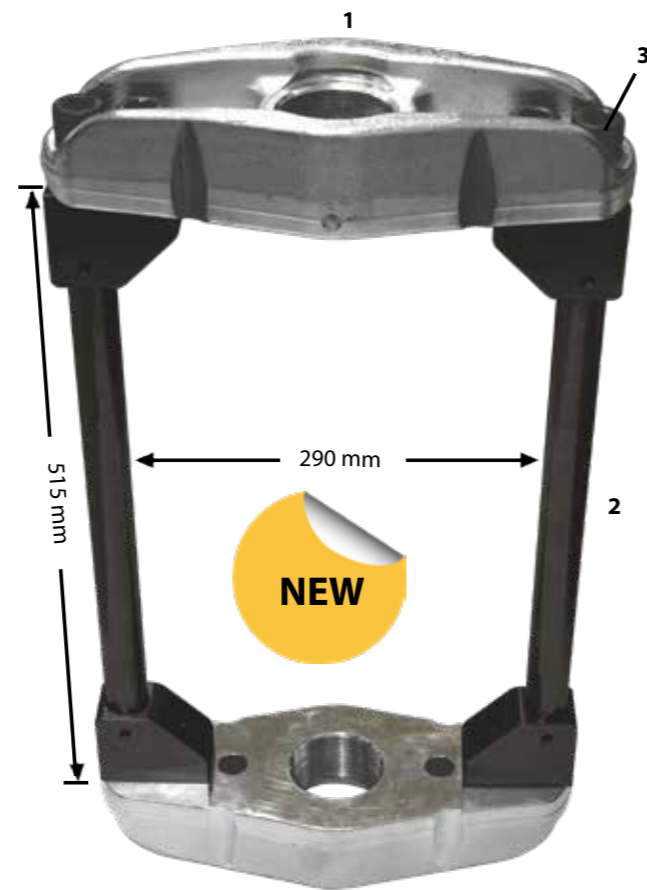
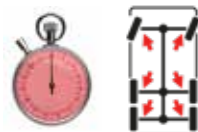
1. (2x) 03-00031-002 - Plate with thread
2. (2x) 03-00048-024 - Support rod 515 mm
3. (8x) 03-00003-005 - Screw M22X60 12.9

Individual details in this set:

4. 03-00048-030 - Adapter plate
5. 03-00048-031 - Press pipe 42 mm
6. 03-00048-032 - Press pipe 85 mm
7. 03-00048-033 - Press pipe 130 mm
8. 03-00048-034 - Press pipe
9. 03-00048-035 - Press socket
10. 03-00048-040 - Press axle L=37, Ø38 mm
11. 03-00048-041 - Press axle L=147, Ø38 mm
12. 03-00048-042 - Press axle L=50, Ø38 mm
13. 03-00048-043 - Press axle L=70, Ø38 mm
14. 03-00048-044 - Press axle L=100, Ø38 mm

70T

EU Protected Design - RCD No. 003068006-0001/0002



Upgrade set from 45T to 70T 03-00048-010

Parts in the set: 2-14. Used with plates

<p>03-00031-002 Max 70T - New 2023 ✓</p> <p>30 mm</p>	<p>Max 45T - Pre 2023 ✗</p> <p>26 mm</p>	<p>Max 32T - Pre 2016 ✗</p>

*Innovative high quality tools
will help improve your business*

NO COPIES – ONLY ORIGINALS

Behind every innovative tool from Wallmek are hundreds of hours of development, testing, and refinement. Our ideas become reality to simplify your work and truly maximize your productivity.

SWEDISH INNOVATION & PRECISION

All our products are developed and assembled in Kungälv, Sweden. Wallmek represents Swedish innovation, precision, and genuine craftsmanship. We combine technology and experience to deliver top-class tools – with a strong focus on quality, safety, and sustainability.


PATENTED SOLUTIONS FOR YOUR SAFETY

We invest in patents and protections to continue delivering safe, smart, and long-term tool solutions. Thank you for helping us identify and take a stand against dangerous copies and companies that choose to imitate rather than innovate.

Choosing copies means compromising both safety and profitability. The right tool gets the job done – the wrong one costs you time and money.

SAFETY & CE CERTIFICATION AT WALLMEK

At Wallmek, safety is a given. Our CE-marked tools meet the EU's requirements for safety, health, and environmental protection.

We develop products that reduce strain, simplify tasks, and create safer work environments. Safety is a cornerstone of everything we do.

*Choose the original. Choose Wallmek
For safety, quality, and your business.*



Add on set for Mercedes Actros and Atego kingpin

With the set it's possible to dismantle and fit the kingpin directly on the truck axle.

Contains these parts:

- 03-00032-101 - Press axle M30. L=137 mm. Ø 29 mm
- 03-00031-221 - Guide socket
- 03-00006-022 - Dismantling collar Volvo Kingpin
- 03-00031-204 - Extender
- 03-00031-203 - Extender
- 03-00031-303 - Guide socket

03-00031-220

45T

Contains these parts:

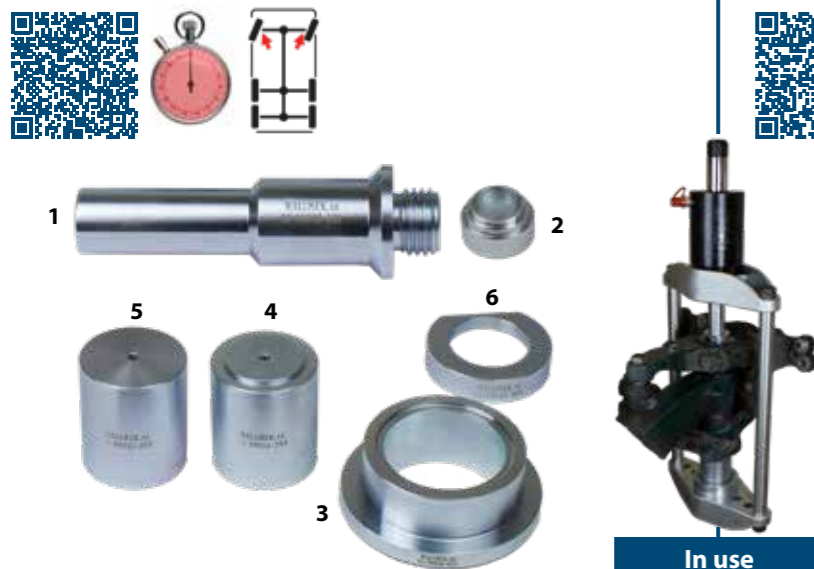
- 03-00048-222 - Press axle L=140 mm. Ø 29 mm
- 03-00031-221 - Guide socket
- 03-00006-022 - Dismantling collar Volvo Kingpin
- 03-00048-204 - Extender
- 03-00048-203 - Extender
- 03-00031-303 - Guide socket

03-00048-220

70T

The set is used with 03-00031-45T

The set is used with 03-00044, 70T & universal set 03-00048



In use

Add on set for MAN TGA, TGX & TGS Kingpin

With the set it's possible to dismantle and fit the kingpin directly on the truck axle.

Contains these parts:

- 03-00031-302 - Press pipe
- 03-00031-303 - Guide ring
- 03-00031-203 - Extender
- (2x) 03-00031-204 - Extender

03-00031-300

45T

Contains these parts:

- 03-00048-302 - Press pipe
- 03-00031-303 - Guide ring
- 03-00048-203 - Extender
- (2x) 03-00048-204 - Extender

03-00048-300

70T

The set is used with 03-00031-45T

The set is used with 03-00044, 70T & universal set 03-00048



In use

Add on set for BPW and SAF kingpin

With the set it's possible to dismantle and fit the kingpin directly on the trailer axle.

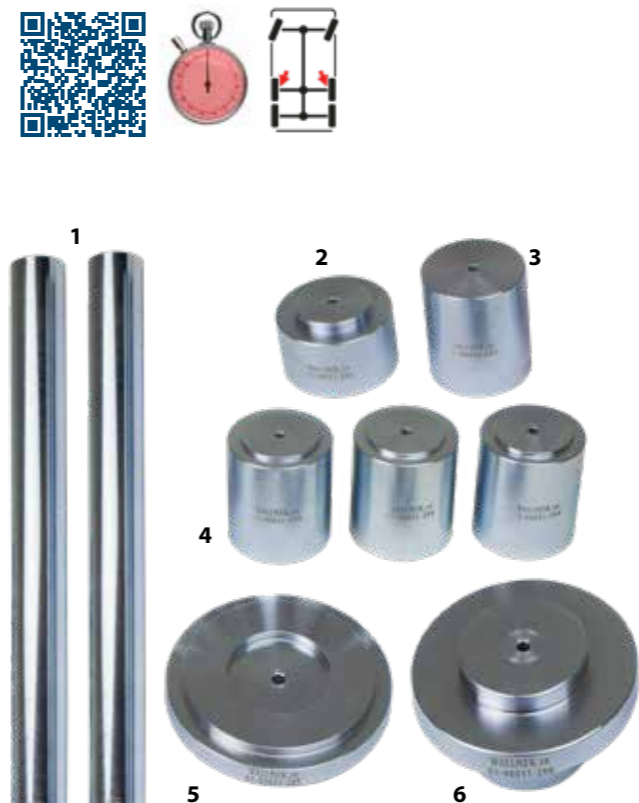
Contains these parts:

- (2x) 03-00031-201 - Support rod (595 mm)
- 03-00031-202 - Extender
- 03-00031-203 - Extender
- (3x) 03-00031-204 - Extender
- 03-00031-205 - Press plate
- 03-00031-206 - Press plate

03-00031-200

45T

The set is used with 03-00031-45T



Contains these parts:

- (2x) 03-00048-025 - Support rod (610 mm)
- 03-00048-202 - Extender
- 03-00048-203 - Extender
- (3x) 03-00048-204 - Extender
- 03-00031-205 - Press plate
- 03-00031-206 - Press plate

03-00048-200

70T

The set is used with 03-00048-70T



In use

"Once you start using these tools and methods you will understand how inefficient you were without them. The tools are also easy to put in the service van when we head out on the road. Our workshop is adding all new tools from Wallmek, this saves us a lot of time and the technicians are very satisfied."

Thomas Karlsson, Nimrod in Eslöv, Sweden




Dismantling tube Kingpin in ZF axle on buses, MB, Setra etc. 03-00048-050


Dismantling tube with opening for the shock absorber bracket on top of the kingpin position.

The slot in the tube is needed to get access when pressing out the kingpin. After some years on the road this type of kingpin will get seized, requiring very high press force when being pressed out.


The press tube is designed for pressing up to 70 T.



70T



NEW



To be used with universal kingpin set 03-00031-32T/45T or 03-00048, 70T. In use

Press ring collar Volvo Kingpin 03-00006-022


Is used with universal set 03-00031-32T/45T or 03-00048 for fitting the lower bearing on Volvo kingpins with locknuts underneath.








Mounting plate Volvo Kingpin 03-00006-023


Is used with universal set 03-00031-32T/45T or 03-00048 for pressing in Volvo kingpins with locknuts underneath. The plate guides the kingpin into position when pressing/mounting.





Press socket Scania Kingpin 03-00006-024

Is used with universal set 03-00031-32T/45T or 03-00048 for pressing out Scania conical kingpins.



Wheel bearing set (Unit) Scania 03-00020-32T / 03-00020-45T

With this set a wheel bearing is replaced quickly and easily directly at the vehicle, no need to go to the shop press

The set is used with hydraulic cylinder 03-00028 (32T) or 03-00026 (45T) and hub puller set 03-00016-32T/45T.

Parts for allowing hammer punching during max pressure are also included.

Contains these parts:


- 03-00006-026 - Press socket 65 mm (32T/45T)
- 03-00020-001 - Pressplate Scania unitbearing (32T/45T)
- 03-00020-002 - Pressplate Scania unitbearing (32T/45T)
- 03-00020-003 - Protection socket Scania unitbearing (32T/45T)
- RES4034 - Drawbar M22, 500 mm (32T)
- RES4037 - Drawbar M27, 500 mm (45T)



In use



32T



45T




5



6



Lock ring tool 01-00004

A type of lock ring tool which makes removing and refitting of wheel bearing lock rings very easy.

The tool is designed to fit both passenger cars, light commercial vehicles and trucks. The adjusting screw has a 1/4" ratchet grip which provides enough power to easily remove stuck and rusted lock rings.

The grip angle between the tips will also always be correct no matter the size or position of the lock ring. This makes the tool safer, more effective and easier to use than ordinary pliers.

The tool is delivered with a total of 3 pairs specially designed tips that can easily be switched if needed.



6" for superior access.

Accessories:

- 01-00004-013 - Circlip pin 2,5 mm (4 pcs)
- 01-00004-014 - Circlip pin 3 mm (4 pcs)
- 01-00004-015 - Circlip pin 3,5 mm (4 pcs)

Pins in position 2
Min 5 mm
Max 105 mm
In use










WALLMEK INVEST IN TIME



Menu: Home, Videos, Shorts, Playlist, Inlog



Recent uploads:



- Pulling a brake disc on a VW Golf 6
- 01-00048 Puller for drum and disc
- 01-00044 De-mounting axle shaft/Demontarin...
- De-mounting bushing/Demontarin...
- 01-00041 De-mounting wheel bearing
- 01-00048 Brake disc puller/Avrorgane ...

Follow us on social media!
Get News, tips and ideas first!

Wheel/Rim Puller for Heavy Duty truck, Bus and Trailer 22,5", 19,5" and 17,5" rim size

The Rim Popper is designed for maximum efficiency and safety when pulling off seized wheels/rims. In just minutes the rim is pulled loose, quick and easy with very little effort by the user.

- Simple, quick, safe and problem free demounting of the rim.
- The three press rings cover truck, buss and trailer rims with the following sizes: 22,5", 19,5" and 17,5"
- By utilising two strong bolts, one after the other, rims can be pried off with a 1/2" impact gun.

The four rim hooks are designed to fit in almost any rim ventilation hole and cope with the power needed to get the job done. The set comes in a sturdy foam that can also be fitted in our tool trolley 04-00022.

This tool is a real time and effort saver for all shops that encounter stuck and seized wheels on trucks, busses or trailers. Old fashion methods can be devastating for the staff, wheels and also the productivity in the shop.

No more hard physical work with sledge hammer, prybar or heating!

The set comes in a sturdy foam that can also be fitted in our tool trolley 04-00022

03-00042 - Contains these parts:

- | | |
|---|--|
| 1. 03-00042-105 - Rim ring 22,5" | 7. (4x) 03-00042-110 - Rim hook |
| 2. 03-00042-104 - Rim ring 19,5" | 8. (2x) 03-00042-107 - Chain, class 10 Ø8mm L=1m |
| 3. 03-00042-103 - Adapter plate 17,5" | 9. 03-00042-041 - Protection plate left |
| 4. 03-00042-100 - Puller beam | 10. 03-00042-040 - Protection plate right |
| 5. (2x) 03-00042-130 - Press rod M30 complete | 11. 09-874-3010 - CRC Longterm grease |
| 6. 03-00042-034 - Bracket | 12. 03-00042-044 - Extender ½" L=250mm |



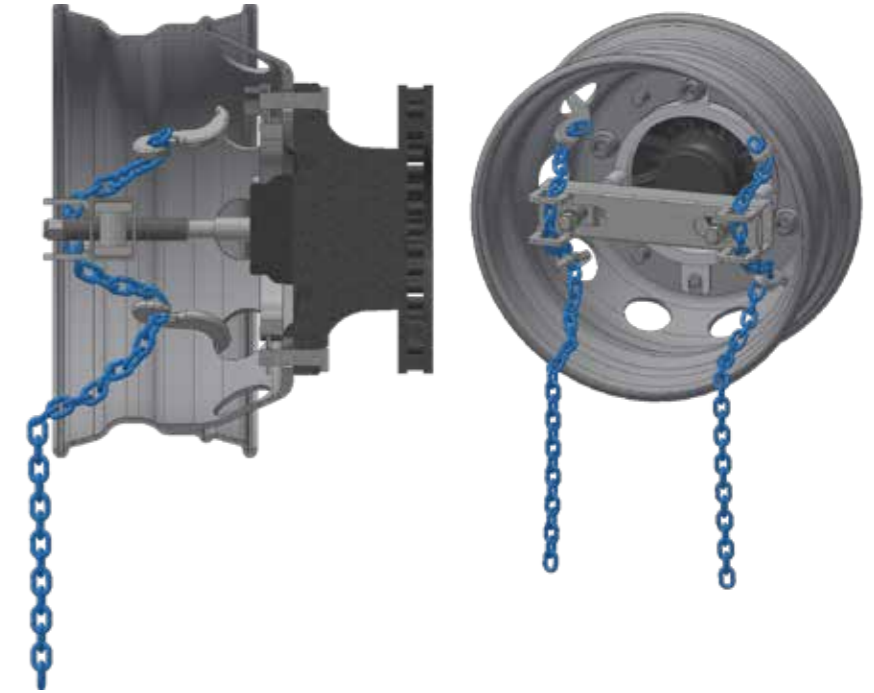
EU Patent No. EP4052924



03-00042

The rim is loose in just minutes

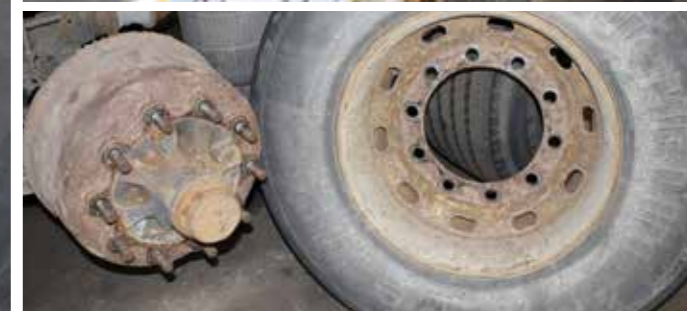
1. Mount the ring
2. Mount the bar
3. Mount hooks and chain
4. Pull off with an impact gun



In use

"I just want to say that the rim popper for HD, truck, trailer and bus is super efficient..."

Patrik Larsson, Grönäs Autoservice Sweden



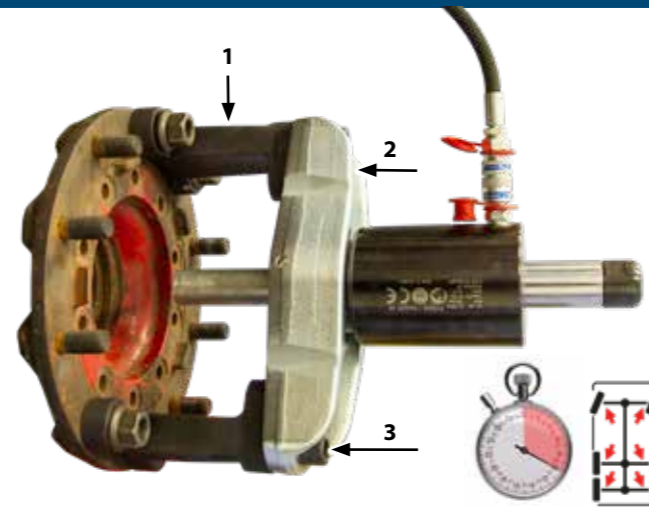
Hub puller, Bolt pattern 8/275, 10/335

This tool is flexible and fits heavy trucks/buses and trailers with 8 bolt Ø 275 mm and 10 bolt Ø 335 mm.

Choose set depending on the cylinder size in use. The plate with a 2½" thread can also be used as a part in the press block 03-00031-001 and 03-00048.

The tool is used with 32 / 45 / 70 tons hydraulic cylinder 03-00028 / 03-00026 / 03-00044. The robust design even allows punching with a hammer on the cylinder during max pressure. This function makes it possible to press out hubs also with unit wheel bearings from straight axles.

EU Protected Design - RCD No. 003068006-0001/0002



Contains these parts: 03-00016-32T

03-00016-32T

1. (2x) 03-00016-001 – Press foot for hub puller
2. 03-00031-002 – Plate with thread
3. (4x) 03-00003-005 – Screw M22x60 12.9, Hex socket
4. 03-00006-021 – Pressplate
5. 03-00006-001 – Press axle 250 mm Ø31mm
6. 03-00006-002 – Press axle 140 mm Ø31mm
7. 03-00006-020 – Press axle 50 mm Ø31mm

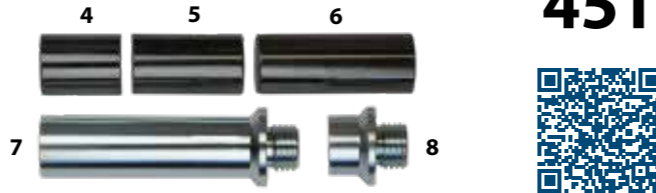


32T

Contains these parts: 03-00016-45T

03-00016-45T

1. (2x) 03-00016-001 – Press foot for hub puller
2. 03-00031-002 – Plate with thread
3. (4x) 03-00003-005 – Screw M22x60 12.9, Hex socket
4. 03-00048-042 – Extender 50 mm Ø38mm
5. 03-00048-043 – Extender 70 mm Ø38mm
6. 03-00048-044 – Extender 100 mm Ø38mm
7. 03-00032-002 – Press axle 140 mm Ø38mm
8. 03-00032-001 – Press axle 30mm Ø38mm



45T

Contains these parts: 03-00016-70T

03-00016-70T

1. (2x) 03-00016-001 – Press foot for hub puller
2. 03-00031-002 – Plate with thread
3. (4x) 03-00003-005 – Screw M22x60 12.9, hex socket
4. 03-00048-042 – Extender 50 mm Ø38mm
5. 03-00048-043 – Extender 70 mm Ø38mm
6. 03-00048-044 – Extender 100 mm Ø38mm
7. 03-00048-040 – Press axle 37mm Ø38mm
8. 03-00048-041 – Press axle 147 mm Ø38mm



70T

Extender for hub puller

03-00006-025

For use with hub puller 03-00016-32T/-45T or 03-00016-70T on axels with hub reduction/gear inside the hub (4 pcs needed). M22, 50 mm. For example Scania.

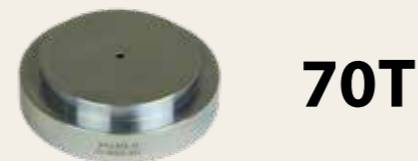


70T

Press plate SAF 110/88 mm

03-00016-011

The press plate is designed for hollow wheel axles and are used when pressing hub/bearing off the axle with hub puller set 03-00016. The plate is designed to fit the accessible surfaces and also withstand the power needed for demounting the hub from the axle.



70T

Hub puller for 17,5" rims, low loader trailers with 10/225 hubs

03-00022

Extension set to 03-00016 for removal of 225 mm hubs and 10 bolts.

Hydraulic cylinder 03-00028 (32 ton), 03-00026 (45 ton) or 03-00044 (70T) is used with the set. The heavyduty design supports a full 70 ton pressure and hammer strokes in the direction of pressure (on the cylinder) during removal. This makes it possible to remove hubs with unit bearings on straight axles.

Contains these parts:

1. (2x) 03-00022-001 - Plate
2. (4x) 03-00022-002 - Arm
3. 03-00022-003 - Thrust washer SAF Ø 73 mm
4. (8x) 03-00003-005 - Screws M22x60 12.9

70T

EU Protected Design - RCD No. 003068006-0001/0002



In use



Plate with thread for press block (not included)

03-00031-002

Included in universal set 03-00031-32T/45T and 03-00048.


Puller set with press rod for hubs without wheel bolts

03-00027-32T / 03-00027-45T

The set makes it possible to efficiently remove rusted bearings with external hubs from straight axles

Developed for Volvo FL, MAN TGA, TGS, TGX, Mercedes Atego, Actros, Renault Kerax, Magnum, Midlum and Premium, fits also other brands with the same bolt dia. The tool is used with hydraulic cylinder 03-00028 (32 ton), 03-00026 (45 ton) or 03-00044 (70 ton).

Contains these parts:

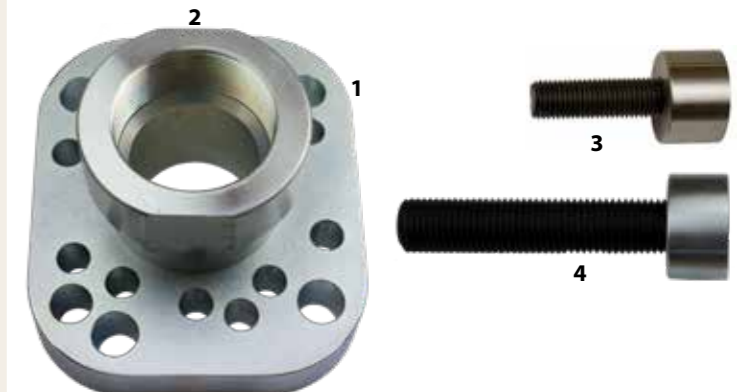
1. 03-00027-010 - Plate
2. 03-00027-012 - Adapter M82x2-G2 ½"-11
3. 03-00027-002 (M24) - Press rod

70T

03-00027-45T

1. 03-00027-010 - Plate
2. 03-00027-012 - Adapter M82x2-G2 ½"-11
4. 03-00027-003 (M30) - Press rod

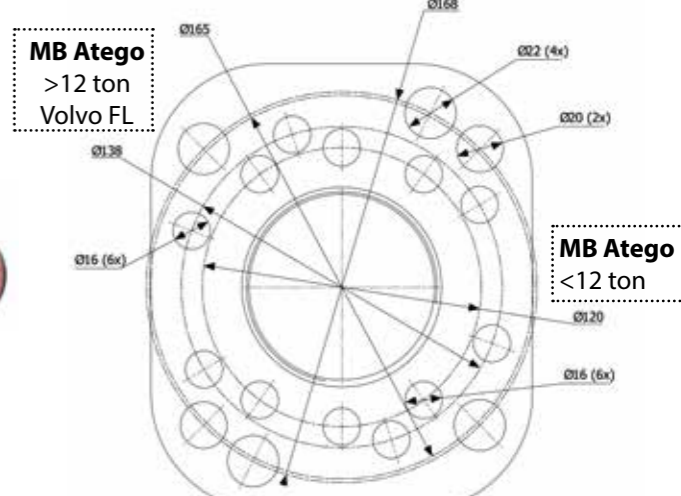
In use



Renault Kerax, Magnum, Midlum, Premium

MB Actros/SAF
MAN, TGA, TGS, TGX

MB Atego
>12 ton
Volvo FL



MB Atego
<12 ton

Dismantling set, Volvo/Mack/Renault/DAF floating brake disc

03-00025

A tool that really helps when floating brake disc needs to be removed.

The brake disk is pressed out one cylinder at a time. This is very efficient and saves a great deal of time in the workshop. Using extreme pressure in the workshop press on sensitive metal parts or cutting the brake disc are both noisy and dangerous. This hydraulic cylinder does the same job in a controlled manner safely and easily. The tool consists of two special cylinders and a control valve for crosswise pressing. **Pressing out the disc in this way only takes a few minutes.**

Use with 1030 or 1036



Dripfree quick coupling set for 03-00025

03-00025-010

A quick coupling kit that increases the range of use for the tool.

Individual use of hydraulic cylinders and flexible adjustment if necessary.

Contains these parts:

- 1. (2x) RES4304 - Hydraulic quick coupling, female 1/4"
- 2. (2x) RES4306 - Hydraulic quick coupling, male 1/4"



Hydraulic cylinder 14 ton with hose and coupling

03-00034

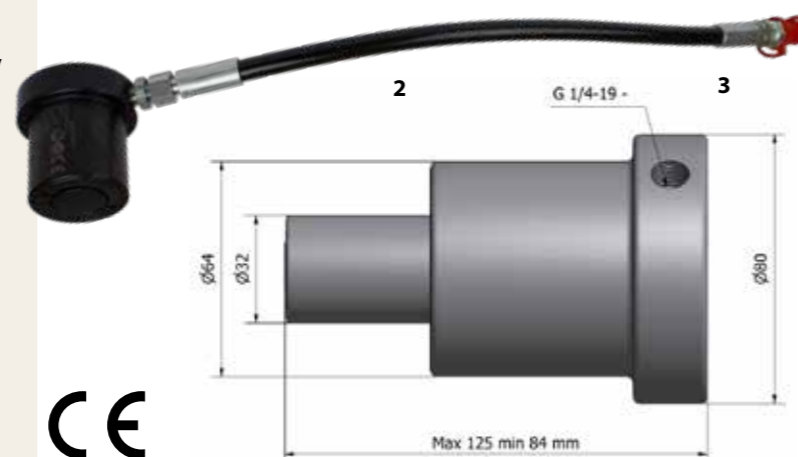
The compact cylinder makes it possible to separate parts, even in tight spaces where normal cylinders won't fit. This type of job is done in any automotive garage, industry or maintenance shop.

Contains these parts:

- 1. 03-00019 - Hydraulic press cylinder 14T
- 2. 03-00019-010 - Hose 0,5 m
- 3. RES4306 - Cejn quick-coupling hydraulic male 1/4"

Max pressure: 700 bar
Max pressure: 14 ton
Weight: 2,3 kg

Stroke: 41 mm
Stroke: 0,5m



Spring bolt set (Scania)

A tool set for quick dismantling of the spring bushing bolts.

The job is done directly on the truck with a minimum of part removal. The set is used with the threaded plate 03-00031-002 from the press block 03-00003-001 (none of these are included), also designed for punching. The combination of the high pressure and vibrations is very efficient and often crucial for a successful result when pressing out the rusted bolt.

The set is used with hydraulic cylinder 03-00028 (32 ton) or 03-00026 (45 ton).

Contains these parts:

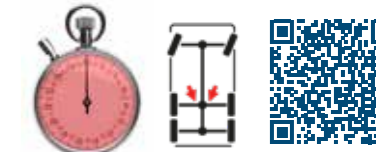
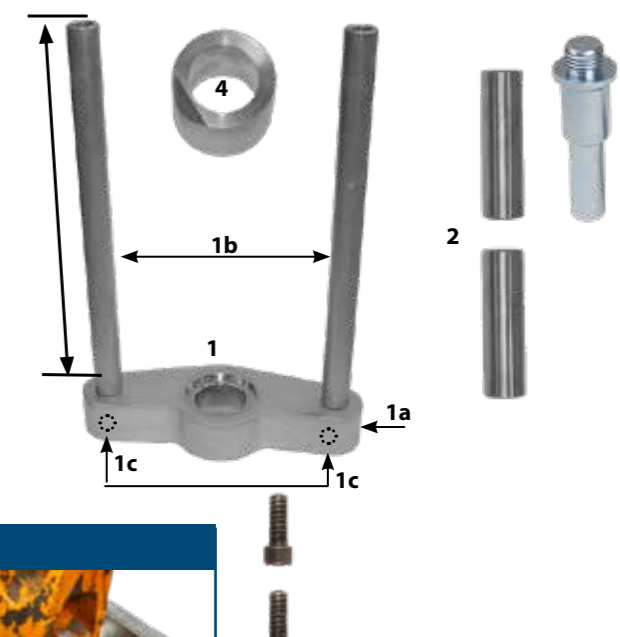
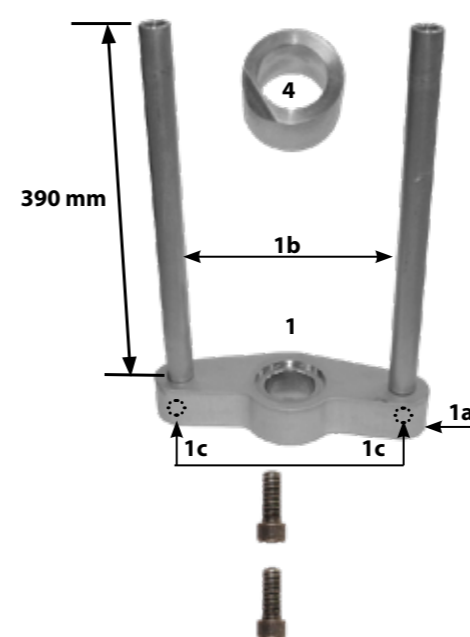
03-00008-32T

- 1. 03-00004-001 - Press block
- 1a. 03-00004-002 - Plate without thread
- 1b. (2x) 03-00004-003 - Support rod
- 1c. (2x) 03-00003-005 - Screw M22x60 12.9, hex
- 2. 03-00006-009 - Press axle 115 mm Ø29 mm
- 3. 03-00006-010 - Press axle 100 mm Ø29 mm
- 4. 03-00006-011 - Press pipe 60 mm Ø54 mm

Contains these parts:

03-00008-45T

- 1. 03-00004-001 - Press block
- 1a. 03-00004-002 - Plate without thread
- 1b. (2x) 03-00004-003 - Support rod
- 1c. (2x) 03-00003-005 - Screw M22x60 12.9, hex
- 2. (2x) 03-00032-102 - Press axle L=65 mm. Ø=29 mm
- 3. 03-00032-101 - Press axle M30. L=137 mm. Ø=29 mm
- 4. 03-00006-011 - Press pipe 60 mm Ø54 mm



Adapter M22 – M30x3,5

03-00040-001

Adapter M22 – M27x3

03-00040-002

The adapter makes it possible to pull out M30/M27 bushing bolts with the 32 Ton cylinder 03-00028. An appropriate press pipe is used in combination with the adapter when pulling.



Adapter M22 – M24x2

03-00040-003

Adapter M22 – M24x3

03-00040-004

The adapter makes it possible to pull out M24 bushing bolts with the 32 Ton cylinder 03-00028.

An appropriate press pipe is used in combination with the adapter when pulling.



Hydraulic ball-joint puller, 8,8 ton, 42-57 mm
04-00028

Unique design that efficiently presses out the ball joints and brake/slack adjuster on trucks, busses and trailers.

Also wheel bolts are dismantled and fitted very smoothly thanks to the flexible design (see pictures below).

The press tools can be rotated for different ground heights, the two supplied distance rings provide the adjustment options required for these jobs. The anvil tool has an opening of 42 alt 57 mm depending on what side is chosen. In addition, the two tools can change position on the cylinder for superior access in tight spaces inside the wheelhouse, around sway bars or hidden steering joints on buses, etc.

The hydraulic cylinder presses up to 8.8 tons for easy, safe and smooth removal. A safety belt is supplied with the tool to prevent the tool from falling down during work.

Use with 700 bars of hydraulic pump 1030 or 1036

Contains these parts:

- 04-00028-021 – Press tool
- 04-00028-022 – Anvil tool
- 04-00028-019 – Distance ring 16 mm
- 04-00028-020 – Distance ring 26 mm
- 04-00028-011 – Safety strap
- RES4306 – Hydraulic quick coupling male 1/4"

EU Patent No. EP342644, US Patent No. US 10.807.222


Anvil tool 34-37 mm
04-00028-302

Add-on to 04-00028 8.8T for smaller ball joints on pick-up trucks, EVs, SUVs, and light commercial vehicles.

This tool is an accessory to the base tool 04-00028 and makes it suitable for use on ball joints in control arms, tie rods, and wheel bolts on smaller trucks and commercial vehicles, including heavier EV, hybrid, and SUV models. The dimensions of the pivoting counter-hold tool are 34 mm and 37 mm.


Scania Next Generation (NG), 2017 - Pitman/Steering rod tool
03-00047

New unique method for easy disassembly of the Pitman/steering rod ball joint on Scania Next Generation.

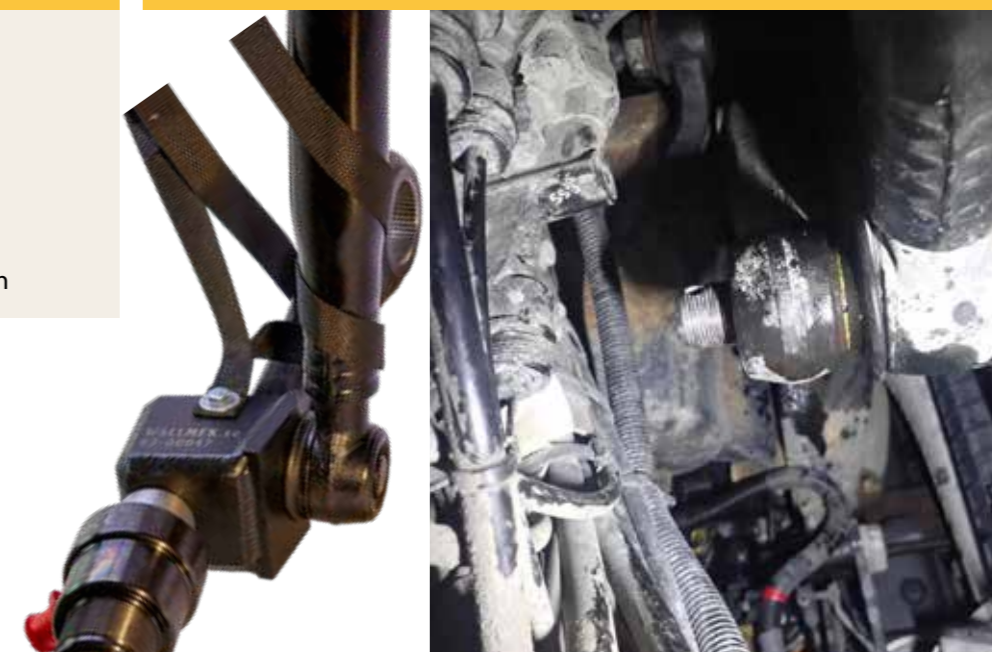
The tool makes it possible to disassemble the ball joint quickly and easily, no disassembly is required for access. The wheels are turned 70 – 90% to the right, good access is then possible under the vehicle.

The hydraulic cylinder simply pushes the ball joint free with the help of a conical plate inside the support box. No blows or breaks are required that could otherwise adversely affect the steering gear. The tight space between the frame and ancillaries inside the steps to the cab prevents the fitting of other tools without extensive disassembly.

The kit includes an 8.5T hydraulic cylinder (03-00015, part 7) and press parts (03-00047-010, part 1-6).

Rec Cylinder: 03-00015
Contains these parts:

- 03-00047-011 - Press nut
- 03-00047-012 - Press block conical
- 03-00047-013 - Pull socket
- 03-00047-014 - Pull nut
- 03-00047-015 - Safety strap
- RES4016 - Drawbar M14 L=250 mm
- 03-00015 - Hydraulic cylinder 8,5 ton


NEW


Hydraulic ball joint puller 03-00030

Press clamp for demounting steering joints on trucks/buses and ball-joints on light commercial vehicles.

See also 04-00028. This clamp is specially designed to fit most steering axles and ball-joints on light commercial vehicles, heavy trucks and buses on the market.

Contains these parts:

- 03-00014-001 - Steering joint puller
- 03-00015 - Hydraulic cylinder 8,5 ton


In use

Accessory to 03-00015
Press plate

Fits the press side of 03-00015. See page 45


Automatic brake adjuster puller/ steering joint on trailers 03-00005-001

Used for pressing out rusted and seized axles from the brake adjuster.

Fits most types on the market from Haldex and BPW. See also 04-00028. The tool is used with a 8,5 ton hydraulic cylinder 03-00015 (not included).

The design allows good access even in tight spaces on the vehicle.

Press block set for pulling out truck/trailer coupling with VBG 55 mm axle 03-00017

With this set the complete pulling connector is pulled out from its holder when maintenance is needed.

This solution saves a lot of time and efforts during dismantling. It is used with one of the following cylinders; 1090-02 or 01-00030.


In use

Adapter for VBG Drawbar bolts 03-00006-012

The adapter is used with Kingpin set 03-00031, pressing out bushing bolts on VBG Drawbars (not hex bolts).

The bolt is pressed out in a similar way as the kingpin but with the press frame in a horizontal position.

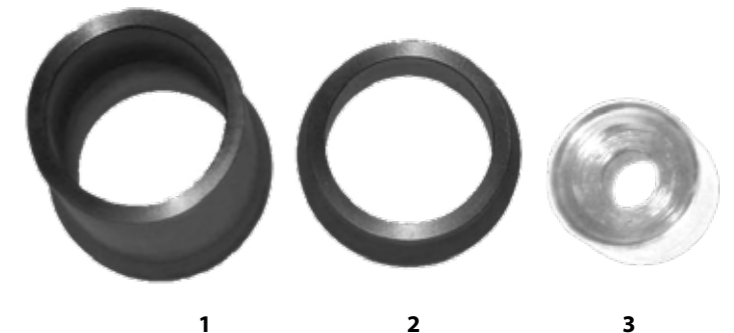

Bushing set for VBG Drawbars 03-00010

This set is primarily designed for VBG bushings and Drawbars but is also universal. The bushing is replaced using the 32 ton hydraulic cylinder 03-00028 (not included) with the unique punching function directly on the Drawbar.

The bushing is replaced quickly without needing to heat the part.

Contains these parts:

- 03-00048-033 – Press pipe 130 mm
- 03-00048-031 – Press pipe 42 mm
- 03-00006-013 – Press plate Ø59 mm


In use


1

2

3


Air hammer for tie rod ends 04-00030

This air hammer is developed for efficient work on tie rod ends on trucks and buses, either for replacing or only making adjustments.

Vibrations in combination with rust dissolving liquid make the threads adjustable again. This version is reinforced and improved for daily use in a shop environment. 3000 rpm, vibration dampened handle and bracket for better ergonomics.


Fixed wrench 34 mm 04-00031

Powerful and slip free wrench for tie rod ends with 34 mm 6 point grip

The wrench is used in combination with the air hammer 04-00030 for adjusting or replacing the tie rod ends on truck and buses.



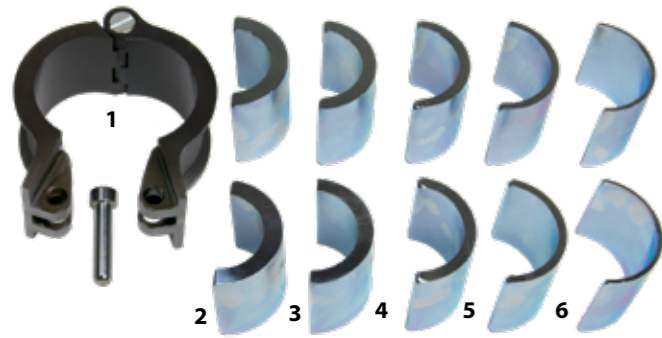
03-00037
Mounting tool for slotted bushings

The clamp in this set is used in combination with the different adapters for compressing slotted bushings on trucks and buses.

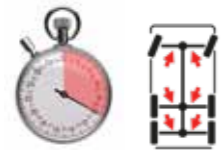
A vise is used to easily compress the bushing, a lock pin is then tapped in and locks the clamp during mounting of the bushing. No fragile bolts or threads to be used with this system! The set fits the following sizes; 95, 85, 80, 75, 70 and 65 mm. This set is used with bushing set 03-00038 that includes dismantling and mounting plates and pipes in proper dimensions.

Contains these parts:

- 03-00037-001 - Clamp Ø95 mm
- 03-00037-065 - Adapter set Ø65 mm
- 03-00037-070 - Adapter set Ø70 mm
- 03-00037-075 - Adapter set Ø75 mm
- 03-00037-080 - Adapter set Ø80 mm
- 03-00037-085 - Adapter set Ø85 mm



Delivered in a foam



03-00037-200
Adapter set for slotted bushings

Add on set for 03-00037 for the following sizes; 50, 56, 58, 60, 63 and 68 mm.

The set is used with bushing set 03-00038 which contains dismantling details and washer in good usable sizes.

Contains these parts:

- 03-00037-050 - Adapter set Ø50 mm
- 03-00037-056 - Adapter set Ø56 mm
- 03-00037-058 - Adapter set Ø58 mm
- 03-00037-060 - Adapter set Ø60 mm
- 03-00037-063 - Adapter set Ø63 mm
- 03-00037-068 - Adapter set Ø68 mm



Delivered in a foam



In use



Bushing set with fixing plate **03-00038**

The combination of sizes on the press pipes and press plates makes the set very useful on commercial vehicles, either directly on the chassis or in the shop press. The fixing plate in the set makes it possible to fix the press pipes to the bottom of the press block. This makes the job easier, less parts needs to be centered by hand during mounting or demounting.

The set can be complemented with 03-00037 to get a complete solution for slotted bushings. The set can be used with the press block 03-00031-001 or a 32 tons hydraulic cylinder 03-00028.

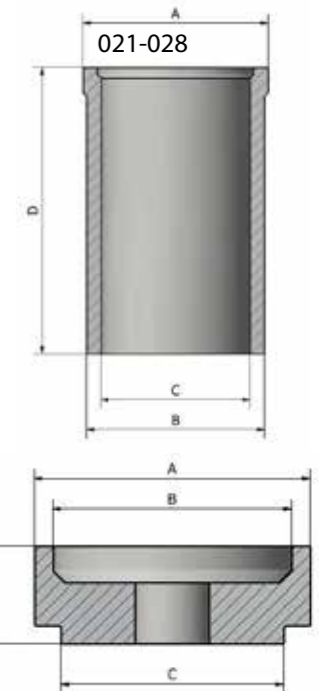
Adapter for the cylinder is included in the set

Contains these parts:

- 03-00038-028 - Press pipe, A 110mm, B107mm, C96mm, D100mm
- 03-00038-027 - Press pipe, A 93,5mm, B 91,5mm, C 88,5mm, D100mm
- 03-00038-026 - Press pipe, A 89,5mm, B 87mm, C 73mm, D 100mm
- 03-00038-025 - Press pipe, A 84,5mm, B 82mm, C 72mm, D 100mm
- 03-00038-024 - Press pipe, A 79,5mm, B 77mm, C 67mm, D 100mm
- 03-00038-023 - Press pipe, A 74,5mm, B 72mm, C 62mm, D 100mm
- 03-00038-022 - Press pipe, A 69,5mm, B 67mm, C 57mm, D 100mm
- 03-00038-021 - Press pipe, A 64,5mm, B 62mm, C 52mm, D 100mm
- 03-00038-011 - Press plate, A 64,5mm, B 52,5mm, C 51,2mm, D 32mm
- 03-00038-012 - Press plate, A 69,5mm, B 57,5mm, C 56,2mm, D 32mm
- 03-00038-013 - Press plate, A 74,5mm, B 62,5mm, C 61,2mm, D 32mm
- 03-00038-014 - Press plate, A 79,5mm, B 67,5mm, C 66,2mm, D 32mm
- 03-00038-015 - Press plate, A 84,5mm, B 72,5mm, C 71,2mm, D 32mm
- 03-00038-016 - Press plate, A 89,5mm, B 77,5mm, C 72,2mm, D 32mm
- 03-00038-017 - Press plate, A 93,5mm, B 81,5mm, C 76,7mm, D 32mm
- 03-00038-001 - Press adapter 30mm
- 03-00038-002 - Press adapter 86mm
- 03-00038-003 - Cylinder adapter (for 32 T)
- 03-00038-004 - Fixing plate



Delivered in a foam



Adjustable press block holder **04-00025**

The holder makes it possible to work at any angle with the press block 03-00031-001 with a cylinder mounted to it.

A gearbox lift or similar with wide wheel base can be used for the holder. The inner diameter is 25 and 30 mm.

The many positions on the flange in combination with the swiveled head maximize the access under the vehicle.

The holder is developed to be used with bushing set 03-00037 and 03-00038.

Fits directly on the press block 03-00031-001



Bushing set - BPW Ø119 mm & ROR Ø139 mm rubber steel bushes
03-00046

This set makes replacing bushes on BPW and ROR axles with our hydraulic cylinders an easy job.

This set is also available as an add-on (03-00046-050) to SAF, JOST, MB and, ROR set 03-00013 for Ø150 mm bushes of the same type.

Contains these parts:

1. 03-00046-001 - Press plate BPW
2. 03-00046-002 - De-/mounting ring BPW/ROR
3. 03-00046-003 - Tapered mounting ring BPW
4. 03-00046-004 - Dismantling ring ROR
5. 03-00046-005 - Tapered mounting ring ROR
6. 02-00011-002 - Press sleeve
7. 03-00013-003 - Dismantling/install washer
8. 1091-17-02 - Press plate

Use with our 32 ton cylinder 03-00028



* Add on set 03-00046-050

In use

"An efficient tool that not just makes it simple to do the job, it's also a lot more fun."

- Stefan Lundgren, Volvo Truck Center Helsingborg, Sweden



Dismantling

Install

Bushing set SAF-axle Ø150 mm
03-00013

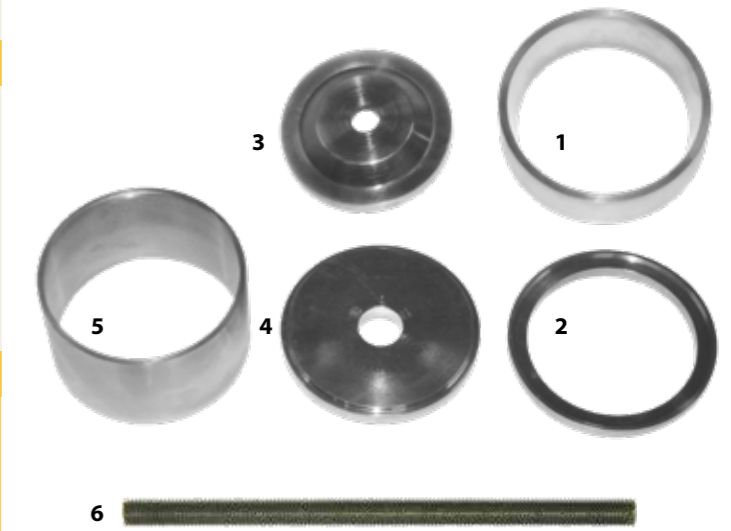
A set for quick and easy replacement of the large 150 mm bushing in SAF, MB, Jost and ROR axles. The set is used with the 32 ton hydraulic cylinder 03-00028 (not included).

Use with 32 ton hydraulic cylinder 03-00028

Contains these parts:

1. 03-00013-001 - Tapered mounting ring 45mm
2. 03-00013-002 - Dismantling/install ring 20mm
3. 03-00013-003 - Dismantling/install plate
4. 1091-17-02 - Press plate
5. 1091-17-03 - Press sleeve
6. RES4034 - Drawbar M22, 500mm

In use

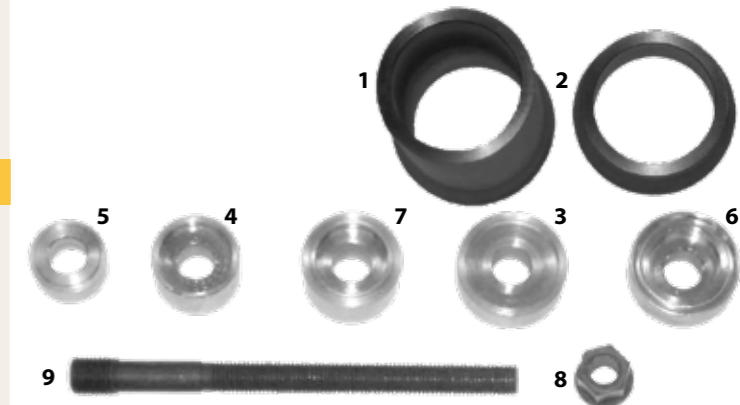

Spring bushing set, universal
03-00009

The spring and shackle bracket bushings (44–64 mm) are quickly and easily replaced. No heating or lifting in the shop press is needed when working with this set.

Use with 32 tons hydraulic cylinder 03-00028

Contains these parts:

1. 03-00048-033 - Press pipe 130 mm
2. 03-00048-031 - Press pipe 42 mm
3. 03-00006-014 - Press plate Ø63 mm
4. 03-00006-015 - Press plate Ø50 mm
5. 03-00006-016 - Press plate Ø44 mm
6. 03-00006-017 - Press plate Ø63 mm
7. 03-00006-018 - Press plate Ø57 mm
8. RES4024 - Flange nut M18
9. RES4026 - Drawbar M18/M22, 250 mm



In use



Universal press tool set 40,7-79,7 mm (set with press lids)
01-0003

A flexible, well thought-out and very useful set for bushings, ball-joints, smaller bearings and more.

The set consists of 29 pcs, with sizes ranging from 30,5 to 79,7 mm with small increments. An adapter and a press rod are included to be able to use press block 1090-60 and 1090-69. This is very useful when working with bushings and ball-joints without holes.

The set is delivered like in the picture with a foam that holds the pieces in place, may also be wall mounted.

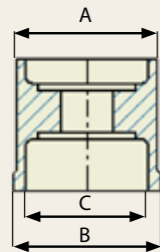
Use with cylinder 01-00030 or 1090-02-WAL

01-0003 Universal set

01-00001-001 - Adapter plate

01-00001-002 - Adjustable press axle 90mm, M24

Press socket art:	Ø A mm	Ø B mm	Ø C mm
01-00001-101	40,7	42,5	35,2
01-00001-102	43,7	45,5	38,2
01-00001-103	46,7	48,5	41,2
01-00001-104	49,7	51,5	44,2
01-00001-105	52,7	54,5	47,2
01-00001-106	55,7	57,5	50,2
01-00001-107	58,7	60,5	53,2
01-00001-108	61,7	63,5	56,2
01-00001-109	65,7	67,5	60,2
01-00001-110	69,7	71,5	64,2



Press pipe art:	Ø A mm	Ø B mm	Ø C mm
01-00001-201	38,7	44,7	30,5
01-00001-202	41,7	44,7	34
01-00001-203	44,7	44,7	37,2
01-00001-204	47,7	55	40,2
01-00001-205	50,7	55	43,2
01-00001-206	53,7	55	46,2
01-00001-207	56,7	55	49,2
01-00001-208	59,7	70	52,2
01-00001-209	62,7	70	55,2
01-00001-210	65,7	70	58,2
01-00001-211	68,7	70	61,2
01-00001-212	71,7	70	64,2
01-00001-213	75,7	75,7	68,2
01-00001-214	79,7	79,7	72,2



Press lid art:	Dimension
01-00001-401	Press lid 45 mm
01-00001-402	Press lid 55 mm
01-00001-403	Press lid 70 mm
01-00001-404	Press lid 76 mm
01-00001-405	Press lid 80 mm

Press pipes/sockets can be sold separately as set **01-00001** and the press lids can be sold separately as **01-00001-400**.



Delivered in a foam 01-00001-003 (290x415 mm)



In use


Universal press tool set 28,6-40,6 mm
01-00001-500

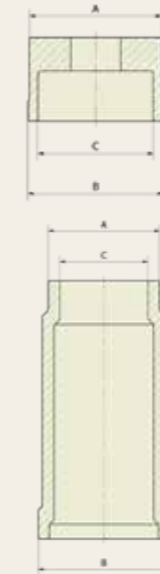
The press sockets and press tubes have 1 mm size increments to fit the smallest bushing and ball joints, covering from Ø28,6mm – Ø43,6mm.

To be used with M10 – M14 Drawbar or with press block 1090-69 using press axle and press lid from universal set 01-00003. The four press tubes fit on the pulling side of the following hydraulic cylinders: 18T 01-00030 and -22T 1090-02-WAL.

Add on set to 01-00003

Press tube art:	Ø A mm	Ø B mm	Ø C mm
01-00001-501	38	44,7	30
01-00001-502	40	44,7	32
01-00001-503	42	44,7	34
01-00001-504	44	55	36

Press socket art:	Ø A mm	Ø B mm	Ø C mm
01-00001-510	27,5	28,6	22,6
01-00001-511	28,6	29,6	23,6
01-00001-512	29,6	30,6	24,6
01-00001-513	30,6	31,6	25,6
01-00001-514	31,6	32,6	26,5
01-00001-515	32,6	33,6	27,6
01-00001-516	33,6	34,6	28,6
01-00001-517	34,6	35,6	29,6
01-00001-518	35,6	36,6	30,6
01-00001-519	36,6	37,6	31,6
01-00001-520	37,6	38,6	32,6
01-00001-521	38,6	39,6	33,6
01-00001-522	39,6	40,6	34,6



Delivered in a storage foam 04-00023-007



Press axle 01-00001-002 (incl in set 01-00003) locks in to the press lid. The lid locks on to the press tube, easy and simple to use.



When used with a pulling rod the lid is used as a stop for the nut. The press tube is locked in the lid for easy operation. Can be used with pulling rods with size M10, M12 and M14. **See page 47**



Universal puller for transmission flange on propeller shaft 03-00035

Puller for transmission flanges on prop shafts and gearboxes.

When the propeller shaft bearing needs to be replaced the flange needs to be dismantled.

It's used with an 18 tons hydraulic cylinder 01-00030 (not included).

The entire job is completed on the vehicle without heavy lifting into a hydraulic shop press.

The tool is designed for maximal adjustment and flexibility for fitting on any truck or bus axle flange. Gearboxes with retarder or other applications are also possible to fit with this tool due to its design.

Contains these parts

1. (2x) 03-00035-001 - Press foot
2. 01-00041-002 - Fixing plate 1 1/2" thread
3. (2x) 01-00041-003 - Sliding plate
4. (2x) 01-00018-004 - Screw
5. (4x) 01-00041-005 - Screw M14x45 10.9, hex
6. 03-00035-002 - Bolt set M12, hex. (4 pcs)
7. 03-00035-005 - Adjustable press rod M24

EU Protected Design - RCD No. 003477090-0001/0002

EU Patent No. EP 3323553

US Patent No. US 10.532.450

US Design Pattern No. US D850.226

Rec. cylinder 01-00030



In use



03-00035-201 ACCESSORIES 03-00035-101

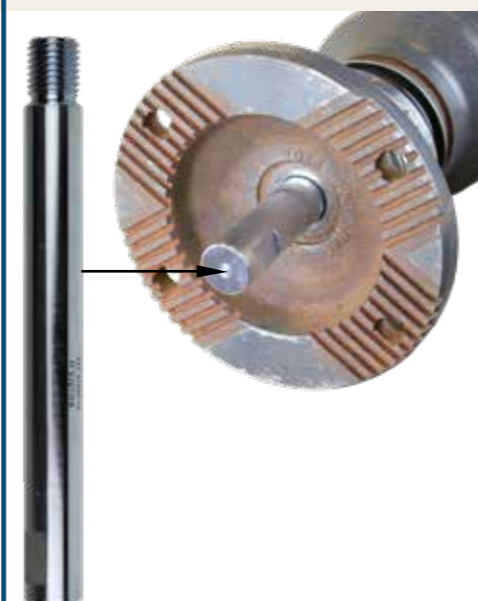
Thread adapter Scania M44x1,5 - M22x2,5

The adapter makes mounting of the bearing and flange a simple operation. Use a M22 rod for mounting manually or with hydraulic cylinder.



Press rod Volvo FL, M20

Protects the inner thread on the axle and makes dismantling of the flange easier.



Universal puller for prop axle/shaft bearing and pitman arm 03-00036

Adjustable and universal to cover most propshaft bearings and pitman arms.

Used with a 18 ton hydraulic cylinder 01-00030 (not included). The adjustable press feet are wedge shaped for better access.

After years on the road, exposed to dirt, water and salt, parts will eventually rust and seize. Standard or manual tools are usually not strong enough to do the job.

With the help from the 18 ton hydraulic cylinder with hammer function the job is made easy with a minimum of wear. **Heavy and risky jobs in the shop press are also minimized with this tool.**

Contains these parts:

1. (2x) 03-00036-001 - Press foot
2. 01-00041-002 - Fixing plate 1 1/2" thread
3. (2x) 01-00041-003 - Sliding plate
4. (2x) 01-00018-004 - Screw
5. (4x) 01-00041-005 - Screw M14x45 10.9, hex

Rec. cylinder 01-00030

EU Patent No. EP 3323553

EU Protected Design - RCD No. 003477090-0001/0002

EU Patent No. EP 3168007

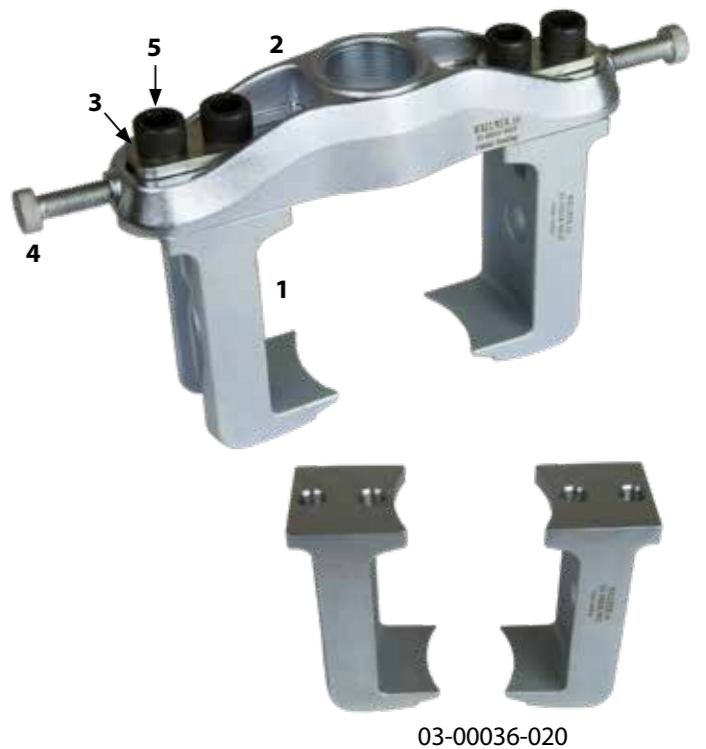
US Patent No. US 10.532.450

US Design Pattern No. US D850.226

In use

"It takes longer to walk to the job than to do the job with these tools."

-Bruno Cella, Cella Auto Repair.
Bolton, Ontario, Canada.



Set with 03-00035 and 03-00036-020 03-00035-300

For efficient dismantling of flanges and supporting bearing on propeller shafts and dismantling of pitman arms on steering gears. The set is delivered in a foam for practical storage. Only foam; 04-00022-016.



U Joint tool
03-00023

Tool for quick and easy replacement of U-joints on trucks and buses.

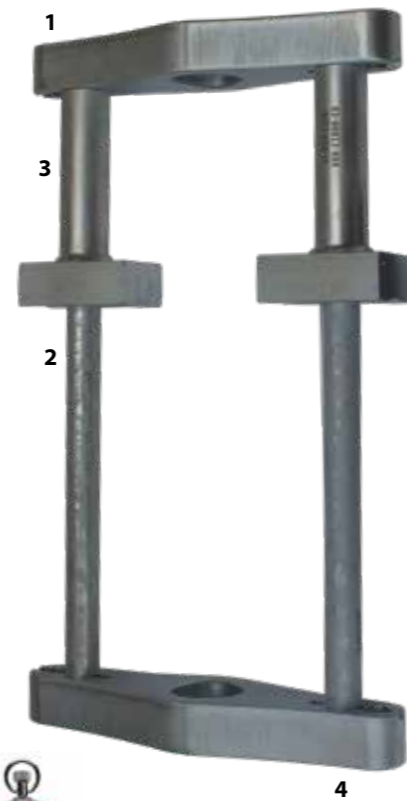
The job is one directly on the vehicle instead of heavy lifting and handling in the garage press. No need to send away these jobs. The tool saves a lot of time and improves the working environment. Adapter sets are ordered separately.

Use with 8,5 tons cylinder 03-00015

Contains these parts:

1. (2x) 03-00023-002 - Plate
2. (2x) 03-00023-003 - Rod
3. (2x) 03-00023-004 - Anvil
4. (4x) 1090-60-04 - Bolt M16x40mm

In use

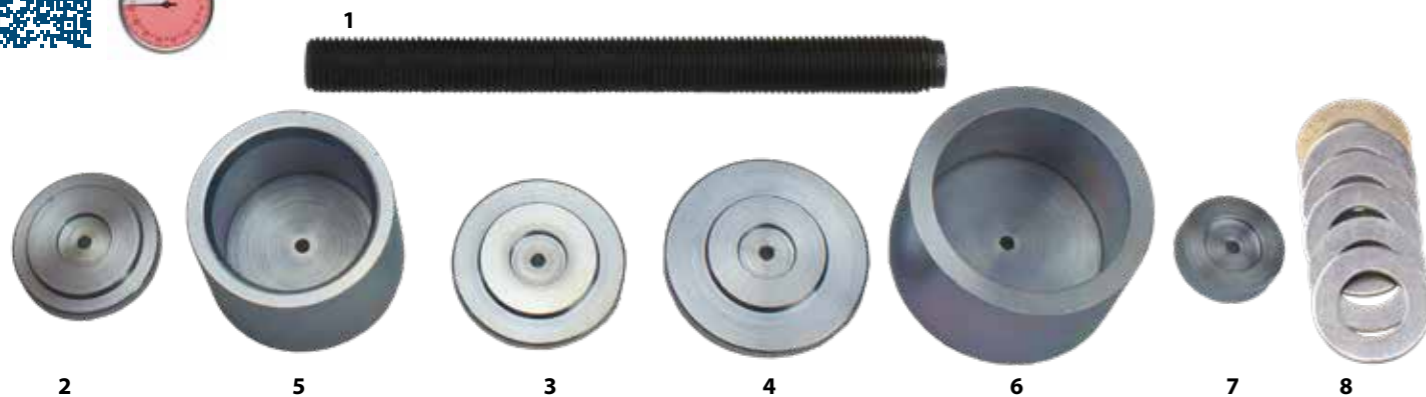

Adapter set for Scania U Joints
03-00023-050

This set is designed to fit all Scania U-joints and axles; 300, 400, 500 and 600.

The job can be done with the axle partly still installed on the vehicle. The set is used with the basic tool 03-00023 and 8,5T cylinder 03-00015.

Contains these parts:

1. 03-00023-005 - Press axle
2. 03-00023-006 - Plate Ø47 mm
3. 03-00023-007 - Plate Ø55 mm
4. 03-00023-008 - Plate Ø65 mm
5. 03-00023-009 - Socket Ø58 mm
6. 03-00023-010 - Socket Ø68 mm
7. 03-00023-013 - Plate Ø37 mm
8. 03-00023-014 - Set of spacers


Wheel bearing set , front Iveco Daily 35 2014 -
02-00011

This set makes it possible to replace the bearing directly on the vehicle with up to 32 tons pressure, total time only 30 – 40 min.

ABS sensors, ball-joints etc. are left untouched with the use of a hydraulic cylinder. The specially designed press ring that is mounted behind the hub prevents any severe damage or bending in the wheel knuckle during hub removal. The set can also prepare the lock ring before removing the hub. This set can also be used in a hydraulic garage press.

Contains these parts:

1. 02-00011-001 - Press ring
2. 02-00011-002 - Press pipe
3. 02-00011-003 - Press plate
4. 02-00011-004 - Hub plate
5. 02-00011-005 - Bearing plate
6. 1091-17-02 - Press plate
7. 1091-17-05 - Bearing plate
8. 1091-17-08 - Press pipe

EU Protected Design - RCD No. 003995240-0001/0002

Rec. cylinder 03-00028

In use


Reinforced socket for dismantling the hub nut on the Iveco Daily 35
02-00011-025

It is significantly stronger than the original socket. The 4 taps are enclosed and reinforced. Can be mounted directly on a 3/4 inch gun or a size 36 mm socket.



In use


Hub puller (111 mm), front, IVECO Daily 35 - 70
03-00041

This tool allows removing the hub from the axle, even if it is heavily rusted and seized. This method simplifies and severely minimizes the labor time when replacing the front wheel bearings. No need to cut the hub or crack the knuckle in the shop press anymore. Fits models from 2005 - ... with 9 holes in the brake disc/rotor. 9 pcs hex bolts for safe removal are included in the set

Use with hydraulic cylinder 03-00028 (32 tons)

Contains these parts:

1. 03-00041-001 - Hub puller
2. 09-000145 - Bolt M14x55, 10.9 (9 pcs)
3. RES 1090-01-09 - Press foot



In use



MORE POWER THAN YOU WILL EVER

NEEDED

In an industry where precision and power are critical, Wallmek has perfected the art of combining innovation with raw force. Our hydraulic cylinders – at 32, 45, and 70 tons – are specifically designed to overcome the toughest challenges in vehicle repair and maintenance.

Kompakt for tight spaces, 32-ton

The compact 32-ton cylinder is an indispensable tool in truck and bus workshops, where it delivers surgical precision when pressing out conical pins, spring bolts, and bushings. Its design is tailored for tight spaces, delivering maximum power without compromising flexibility.

More power with 45-ton

For those working with heavier vehicle components, the 45-ton cylinder is a natural extension of the craft. It excels at handling straight pins and hubs – tasks that demand strength, as well as safe and controlled application.

Titan in its element

When straight pins and hubs on heavy trucks need disassembly, the 70-ton cylinder gets the job done. Built to withstand extreme stress, it delivers not only sheer force but also invaluable time savings for mechanics and workshops.

With one foot firmly grounded in the Swedish engineering tradition, we continue to drive progress – one cylinder at a time.

32 ton, page 42, art nr: 03-00028



45 ton, page 41, art nr: 03-00026



70 ton, page 40, art nr: 03-00044



"Problems fuel creativity! Power in every detail – Wallmek's hydraulic cylinders take the automotive industry to the next level."

Hydraulic cylinder 70 ton

03-0044

70 ton pressing and pulling cylinder. Designed for everyday use in repair shops.

Primarily for use with our hub demounting tools 03-00016, 03-00022 and 03-00027 and others. The hollow cylinder/piston allows Drawbar or threaded bars up to 33 mm.

Weight: 17 kg. **Stroke:** 70 mm. **Automatic return.**

70T

Contains these parts:

- | | |
|--|---|
| 1. 03-00044-008 - Hydraulic cylinder 70 ton | 4. 03-00044-006 - Punching socket Ø45 mm w. lock ring |
| 2. RES1090-05-04 - Thread protection cap (2½") | 5. 03-00044-010 - Strap |
| 3. RES4306 - Hydraulic quick coupling, male | |

The hydraulic cylinder's pressure can be combined with punching force when using punching socket 03-00044-006



Hydraulic cylinder 45 ton

03-0026

45 ton pressing and pulling cylinder. Designed for everyday use in repair shops.

Primarily for use with our hub dismantling and Kingpin tools 03-00016-45T, 03-00031-45T, 03-00022, 03-00027 etc.

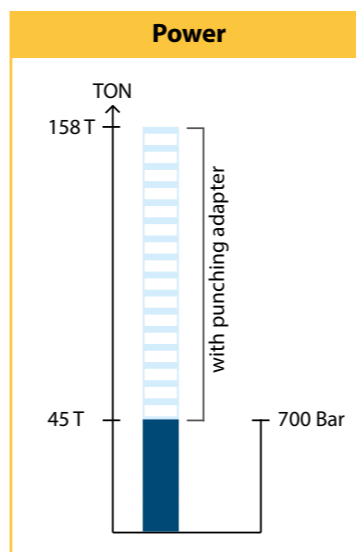
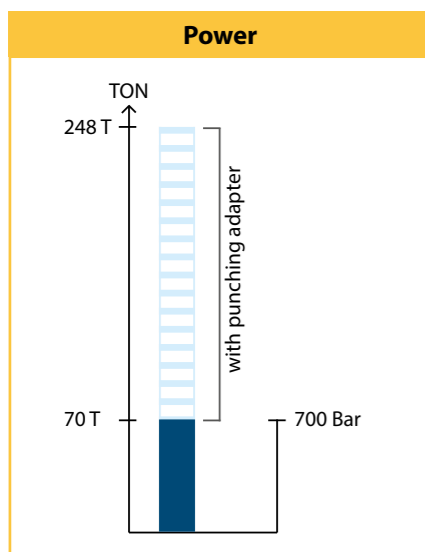
Weight: 11,7 kg. **Stroke:** 70 mm. **Automatic return.**

45T

Contains these parts:

- | | |
|---|---|
| 1. 03-00026-001 - Hydraulic cylinder 45 ton | 5. RES4036 - Drawbar M27 330 mm |
| 2. 03-00026-012 - Adjustable press rod M30 145 mm | 6. RES4306 - Hydraulic quick coupling, male |
| 3. RES1090-05-04 - Thread protection cap (2½") | 7. 03-00026-006 - Punching socket M27 |
| 4. RES4035 - Flange nut M27x3 | |

The hydraulic cylinder's pressure can be combined with punching force when using punching socket 03-00026-006



Hydraulic cylinder 32 ton

03-00028

32 tons pressing and pulling hydraulic cylinder. Designed for everyday use in auto repair shops.

Primarily for use with our wheel bearing tools for light commercial vehicles and trucks. The cylinder's hydraulic pressure can be combined with punching force when using punching socket 1086-6 or punching nut 1091-17-M22.

Weight: 8,2 kg. **Stroke:** 112 mm. **Automatic return**

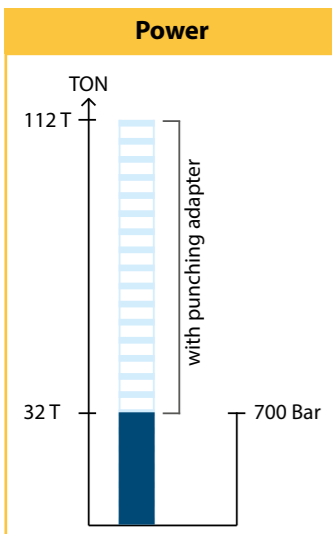
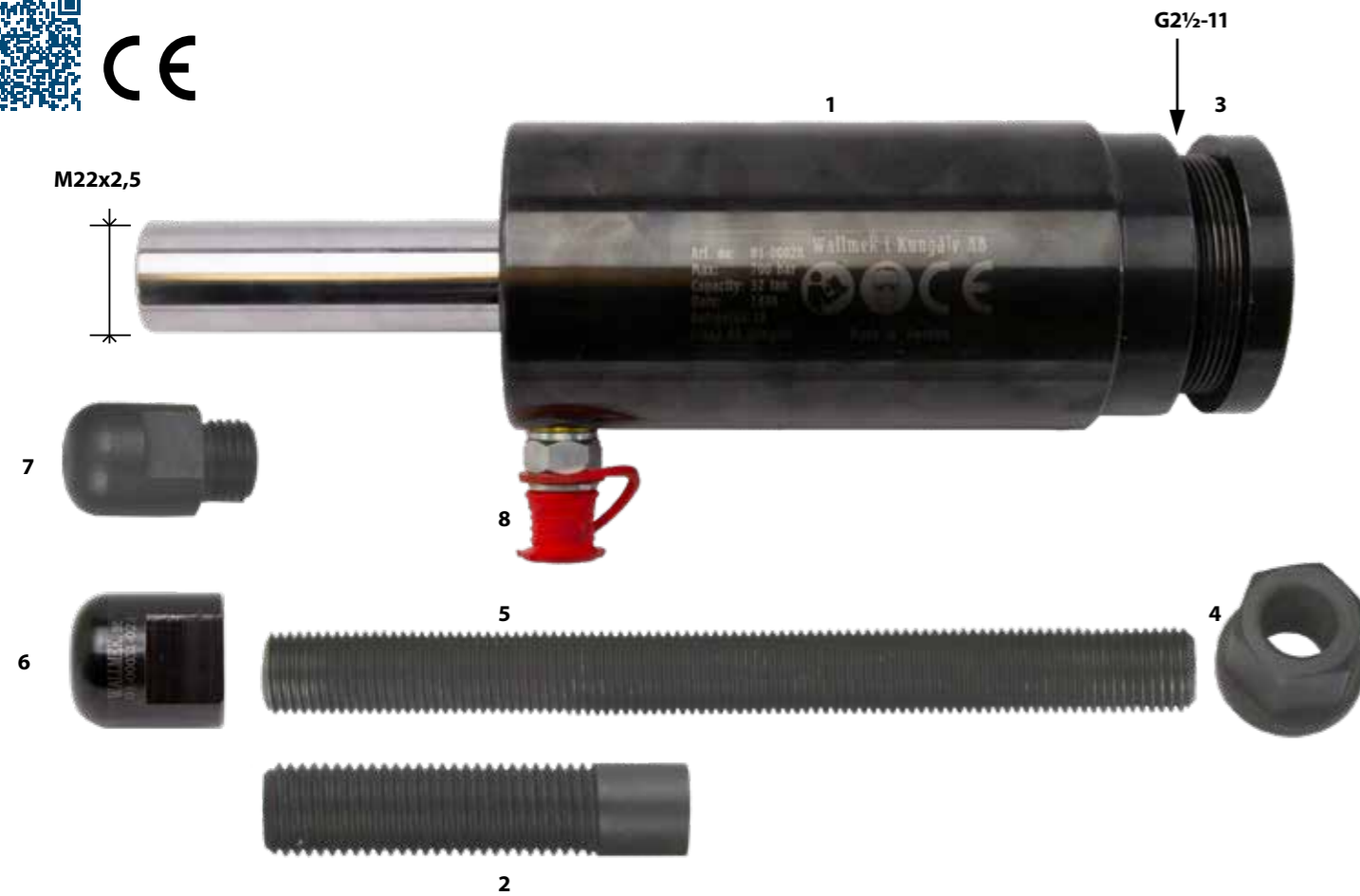
Contains these parts:

- | | |
|--|---|
| 1. 03-00028-001 - Hydraulic cylinder 32 ton | 5. RES4027 - Drawbar M22, 250mm |
| 2. RES 1090-05-02 - Adjustable press rod 109 mm, M24 | 6. 01-00031-022 - Punching nut |
| 3. RES 1090-05-04 - Thread protection cap (2½") | 7. 1086-6 - Punching socket M22 |
| 4. RES4025 - Flange nut M22 | 8. RES4306 - Hydraulic quick coupling, male |

32T

EU Patent No. EP 3156179, US Patent No. US 10.047.772

Can be used with Drawbars M10-M22 with the proper adapter.



WHY HYDRAULICS?

THE POWER OF HYDRAULICS IN THE WORKSHOP

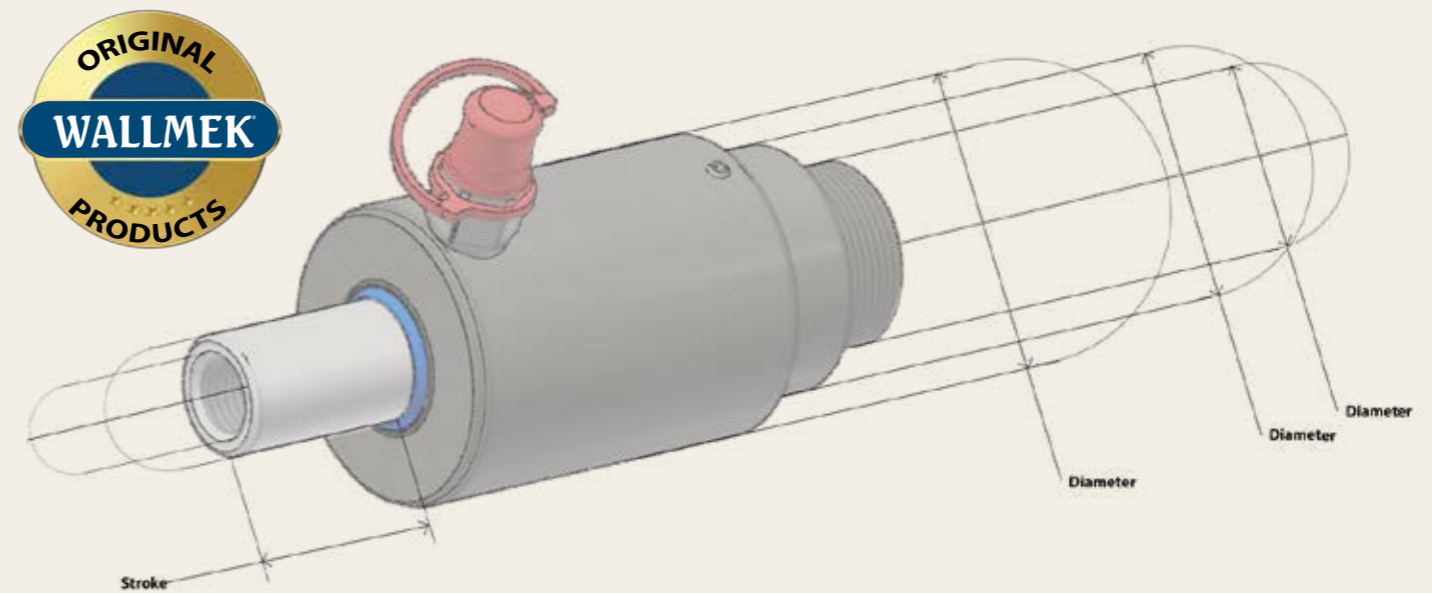
Hydraulics have long been a vital part of vehicle repairs. Wallmek's hydraulic cylinders enable more efficient work directly on the vehicle, saving both time and energy.

COMPACT AND POWERFUL

Wallmek's hydraulic cylinders are both compact and powerful, ranging from 1.8 to 17 kg. They are designed to be used directly on the vehicle without the need to dismantle major components.

PULLING AND PUSHING FUNCTION

The most cylinders can both pull and push, making them highly versatile. They handle wheel bearings, hubs, and bushings with precision, and can push out axles and brake discs without the need for a workshop press.



The Advantages of Hydraulics

- Ⓜ **Precision and reliability** - Delivers controlled force for effective pushing and pulling
- Ⓜ **Versatility** - Suitable for multiple applications, making the workshop more flexible.
- Ⓜ **High power in a compact format** - Compact and powerful, yet with high capacity.
- Ⓜ **Long lifespan** - Minimal risk of mechanical wear thanks to the hydraulic design.
- Ⓜ **Time-saving** - Work can be performed directly on the vehicle without major disassembly.
- Ⓜ **Ergonomic use** - Reduces physical strain on the mechanic.
- Ⓜ **Cost-efficiency** - Lowers the need for special tools and workshop presses.

Extra power when needed: The impact body delivers additional force for seized components. With Wallmek's hydraulics, workshop tasks become simpler and more time-efficient.

Hydraulic cylinder 22 ton
1090-02-WAL

22 tons pressing and pulling hydraulic cylinder in a compact size with automatic return of piston. Designed for everyday use in auto repair shops.

Can be used with all of our passenger car tools and drawbars M10-M22 with the proper adapter. The cylinder's hydraulic pressure can be combined with punching force when using the punching socket 1086-6 or punching nut 01-00031-18, 01-00031-20 or 01-00031-022. For example when pressing a rusted axle shaft.

Weight: 4,7 kg. **Stroke:** 70 mm. **Automatic return.**

Contains these parts:

- 1-1090-02 - Hydraulic cylinder 22 ton
- 1086-6 - Punching socket M22x2,5
- RES 1090-01-09 - Press plate M24x3
- RES 1090-01-10 - Adjustable press rod 100 mm, M24
- 09-1090-01-11 - Thread protection cap
- RES 1090-02-04 - Press axle 151mm, M24x3
- RES 1090-05-02 - Adjustable press rod 109 mm, M24
- RES4024 - Flange nut M18
- RES4026 - Drawbar M18/M22, 250 mm
- RES4306 - Hydraulic quick coupling, male

Delivered in a foam

Hydraulic cylinder 18 ton
01-00030

18 tons compact and light hydraulic cylinder, with pressing and pulling action and self returning piston. Designed for everyday use in auto repair shops.

Can be used with all of our passenger car tools and draw bars M10-M22 with the proper adapter.

The cylinder's hydraulic pressure can be combined with punching force when using the punching socket 1086-6 or punching nut 01-00031-18, 01-00031-20 or 01-00031-022.

For example when pressing a rusted axle shaft.

Weight: 2,8 kg. **Stroke:** 50 mm. **Automatic return.**

EU Patent No. EP 3156179, US patent No. US 10.047.772

Contains these parts:

- 01-00030-001 - Hydraulic cylinder 18 ton
- RES 4306 - Hydraulic quick coupling
- RES 4026 - Drawbar M18/M22, 250 mm
- RES 1090-01-09 - Press plate M24x3
- RES 4024 - Flange nut M18
- 1086-6 - Punching socket M22x2,5
- RES 1090-01-10 - Adjustable press rod 100 mm, M24
- RES 1090-01-12 - Adjustable press rod 132 mm, M24
- 01-00030-005 - Press rod
- 09-1090-01-11 - Thread protection cap (1 1/2")

18T
Delivered in a foam

Hydraulic cylinder 14 ton
1090-03

14 tons pressing hydraulic cylinder in a very compact size. Designed for everyday use in auto repair shops.

Specially designed to use with press blocks 1090-55-C, 1090-60 and 1090-69.

Weight 2,5 kg. **Stroke:** 55 mm. **Automatic return.**

Contains these parts:

- 1-1090-03 - Hydraulic cylinder 14 ton
- RES 1090-01-10 - Adjustable press rod 100 mm, M24
- RES4306 - Hydraulic quick coupling, male


Hydraulic cylinder 8,5 ton
03-00015

A very compact cylinder for pressing and pulling.

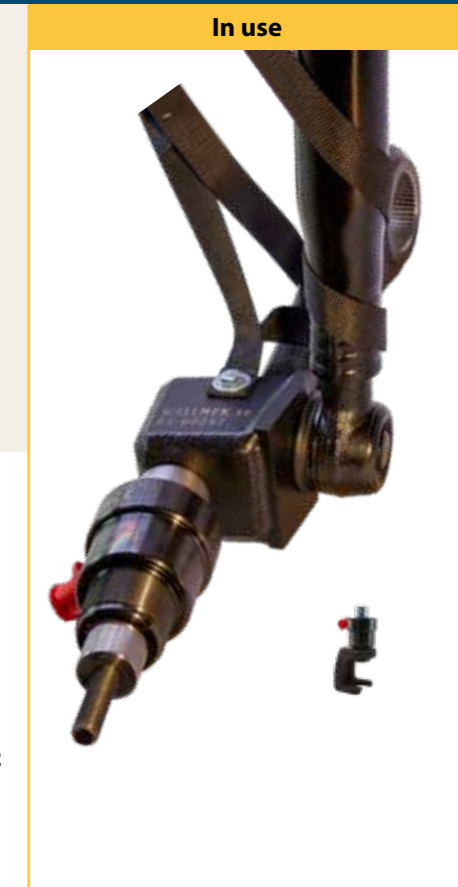
The cylinder comes with an adjustable press rod and a punching socket. This cylinder is very flexible and easy to use also in tight spaces.

Specially designed to be used with 03-00014-001 and 03-00005-001.

Weight: 1,8 kg. **Stroke:** 25 mm. **Automatic return.**

Contains these parts:

- 03-00015-001 - Hydraulic cylinder 8,5 ton
- 03-00015-006 - Punching socket with o-ring
- 03-00015-012 - Adjustable press rod 100 mm, M22 x 2,5
- RES4305 - Hydraulic quick coupling, male 1/8"

8,5T

Press plate M22
03-00015-020

Fits the press side of the 8,5 Ton hydraulic cylinder 03-00015

The press plate can be used instead of the adjustable press axle delivered with the cylinder.



Adapters for other tool systems

1. 1068-04 - Adapter G1 ½" to 2 ¼" – 14UNS (Klann thread)
2. 1068-05 - Adapter G1 ½" to G2 ½" – 11 (16 and 22 ton cylinder - 32 tons cylinder thread)
3. 1068-06 - Adapter 2 ¼" – 14UNS (Klann thread) to 1 ½"
4. 1068-07 - Adapter G1 ½" to M55x1,5 (Volvo thread)
5. 1068-08 - Adapter G1 ½" to M68x2 (Paschke thread)
6. 1068-09 - Adapter M68x2 (Paschke thread) to G1 ½"



Punching socket

01-00031

To be used on the piston side of the cylinder when pressing out axle shafts etc.

The punching socket allows striking by a hammer in the cylinders press direction. Depending on hammer size, the extra force is similar as 2,5 – 3,5 times more power than the cylinder power itself.

- 01-00031-018 - Punching nut **M18**
- 01-00031-020 - Punching nut **M20**
- 01-00031-022 - Punching nut **M22**



Cylinder holder Ø65-100 mm

04-00021

Developed for use with the following cylinders; 1090-02-WAL, 1090-03 and 03-00028/ 01-00030.

The holder is designed for use on the cylinders with hand held use and for use on a floor stand or gear box lift. Adjusting and locking of the cylinder is very easy and flexible for simple use. Also other cylinder brands and types from Ø65 – 100 mm can be mounted in the holder. Fits gearbox lift and floor stands with axles measuring from 25 - 30 mm.

Contains these parts:

1. 04-00021-001 - Holder without clamps
2. 04-00021-013 - Clamp Ø70 mm
3. 04-00021-014 - Clamp Ø85 mm
4. 04-00021-015 - Clamp Ø100 mm

Used with cylinder:

1. 1090-01 (16 T)
2. 1090-02 (22 T)
3. 1090-03 (14 T)
4. 03-00028 (32 T)
5. 01-00030 (18 T)

Hand held

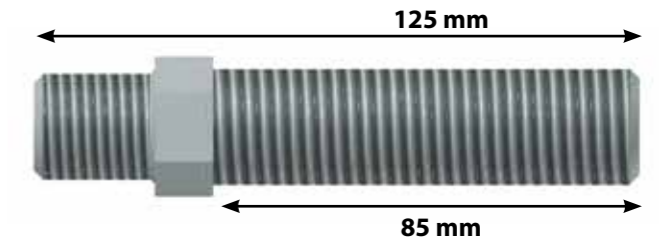
Gearbox lift and floorstand



Drawbar M22/M24

RES4031

Drawbar M22/M24. A specially designed adapter for pulling out the bolts in digging and lifting arms. The beam can be used with the following cylinders: 01-00030/1090-02-WAL/03-00028.



Drawbar, flange nut & adapter set

1090-32

Set of drawbars, flange nuts and adapters.

Contains these parts:

1090-32-10	1090-32-12	1090-32-14
RES4014 Drawbar M10, 150 mm, 12.9 quality.	RES4015 Drawbar M12, 250 mm 12.9 quality.	RES4016 Drawbar M14, 250 mm 12.9 quality.
RES4012 Adapter M22 → M10	RES4011 Adapter M22 → M12	RES4010 Adapter M22 → M14
RES4023 Flange nut M10	RES4022 Flange nut M12	RES4021 Kragenmutter M14
1090-32-18	1090-32-22	
RES4026 Drawbar M18/M22, 250 mm long 12.9 quality.	RES4027 Drawbar M22, 250 mm 12.9 quality.	
RES4024 Flange nut M18	RES4025 Flange nut M22	

Drawbar M20

1090-32-20

RES4042
 Drawbar M22/M20, 330 mm 12.9 quality.

RES4043
 Flange nut **M20**

RES4008
 Adapter **M27 → M24**

RES4036
 Drawbar M27, 330 mm 10.9 quality

RES4035
 Flange nut **M27**

RES4039
 Adapter **M27 → M22**

RES4037: Drawbar M27, 500 mm 10.9 quality.

RES4009
 Adapter **M22 → M18**

Drawbar. Produced in 12.9 quality, also available for order in 500 mm lengths

- 04-00008-001 - Drawbar M10, 1000 mm
- 04-00008-002 - Drawbar M12, 1000 mm
- 04-00008-003 - Drawbar M14, 1000 mm

- 04-00008-004 - Drawbar M22, 1000 mm
- 04-00008-005 - Drawbar M18, 1000 mm
- 04-00008-007 - Drawbar M27, 1000 mm

Pneumatisk, variable hydraulic pump 1036

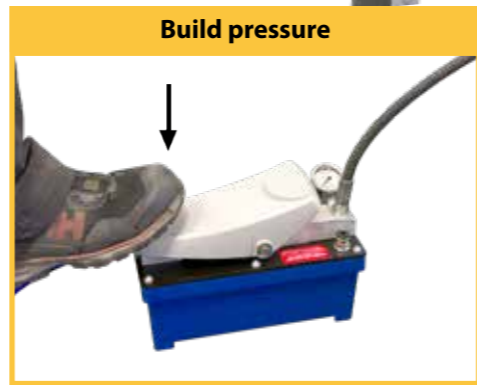
Pneumatic driven hydraulic pump with variable speed for better control.

The pump is delivered with a pressure gauge and 2,2 m hose and drip-free quick coupling. Oil tank volume 1,3 litres

Contains these parts:

- 1-1036 - Pneumatic, variable hydraulic pump
- RES 1030-02 - Hydraulic hose for 1030 & 1036
- RES4304 - Hydraulic quick coupling, female
- 1036-10 - Connection hose air
- 04-00003 - Connecting hose, air

For use with all our hydraulic cylinders (Max pressure 700 bar)



2,2 m hose and drip-free quick coupling with locking function. The core is protected with double wire braids for extra safety and longevity.

Hydraulic foot pump 1030

Hydraulic foot pump 700 bar for use with all our hydraulic cylinders.

2,2 m hose and drip-free quick coupling. Oil tank volume 0,75 litres.

Contains these parts:

- 1-1030 - Hydraulic foot pump
- RES 1030-02 - Hydraulic hose for 1030 & 1036
- RES4304 - Hydraulic quick coupling, female

For use with all our hydraulic cylinders (Max pressure 700 bar)



2,2 m hose and drip-free quick coupling with locking function. The core is protected with double wire braids for extra safety and longevity.

04-00015

Safety cover with catch strap

Additional item for hydraulic operation directly on the car. Prevents damage if parts brakes or falls down.



04-00016

Pressure gauge for hydraulic pumps 1030

Complete kit with coupling and nipple for connecting directly to any Wallmek hydraulic pumps. The hydraulic cylinders manual. Includes a chart that shows the maximum oil pressure in bars for each different drawbars



Hydraulic oil 1 L 04-00020

High quality hydraulic oil, optimal for Wallmek's hydraulic tools and pumps. Regular hydraulic oil change and correct volume increases the operation time of the components.

ISO VG 32



Universal set for master track pins
03-00050

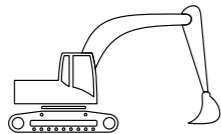
This set is primarily developed for disassembly and assembly of master track pins.

With our 45 T hydraulic cylinder 03-00026 and hammer function the effect on the pin will be a full 157 Ton during disassembly. The tool is clamped onto the track with the help of the fixing plate and the job can be performed by one mechanic without extra help. All parts are manageable in terms of weight and easy to mount on the machine.

This makes the tool very portable and flexible for both the workshop and the field. Internal dimensions of adapters for pins: Ø35, 39, 45.4, 48.2mm.

Recommended cylinder 03-00026, 45 Ton.
Contains these parts:

1. 03-00050-100 - Track pin add on set for 03-00031-001
2. (2x) 03-00031-002 - Plate with thread
3. 03-00032-101 - Press axle L = 137 mm
4. (2x) 03-00032-102 - Extender L = 65 mm
5. 03-00032-001 - Press axle L = 30 mm
6. 03-00032-002 - Press axle L = 140 mm
7. 03-00048-042 - Extender L = 50 mm
8. 03-00048-043 - Extender L = 70 mm
9. 03-00048-044 - Extender L = 100 mm

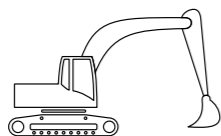

Add-on set for 03-00031-001
03-00050-100

To be used with 2 plates with thread 03-00031-002 and press axle set 03-00032-050

The Universal set is also available as an add-on set, which comes without the two forged threaded plates 03-00031-002 and press axle set. Good upgrade for those who already have these extenders and pressaxles.

Recommended cylinder 03-00026, 45 Ton
Contains these parts:

1. (2x) 03-00050-001 - Press adapter, inside Ø35 mm
2. (2x) 03-00050-002 - Press adapter, inside Ø39 mm
3. (2x) 03-00050-003 - Press adapter, inside Ø45,4 mm
4. (2x) 03-00050-004 - Press adapter, inside Ø48,2 mm
5. 03-00050-005 - Adapter
6. 03-00050-006 - Fixing plate
7. (2x) 03-00050-007 - Threaded support rod, L = 383 mm
8. (2x) 03-00050-008 - Threaded support rod, L = 557 mm
9. (4x) 09-000196 - Nut M36

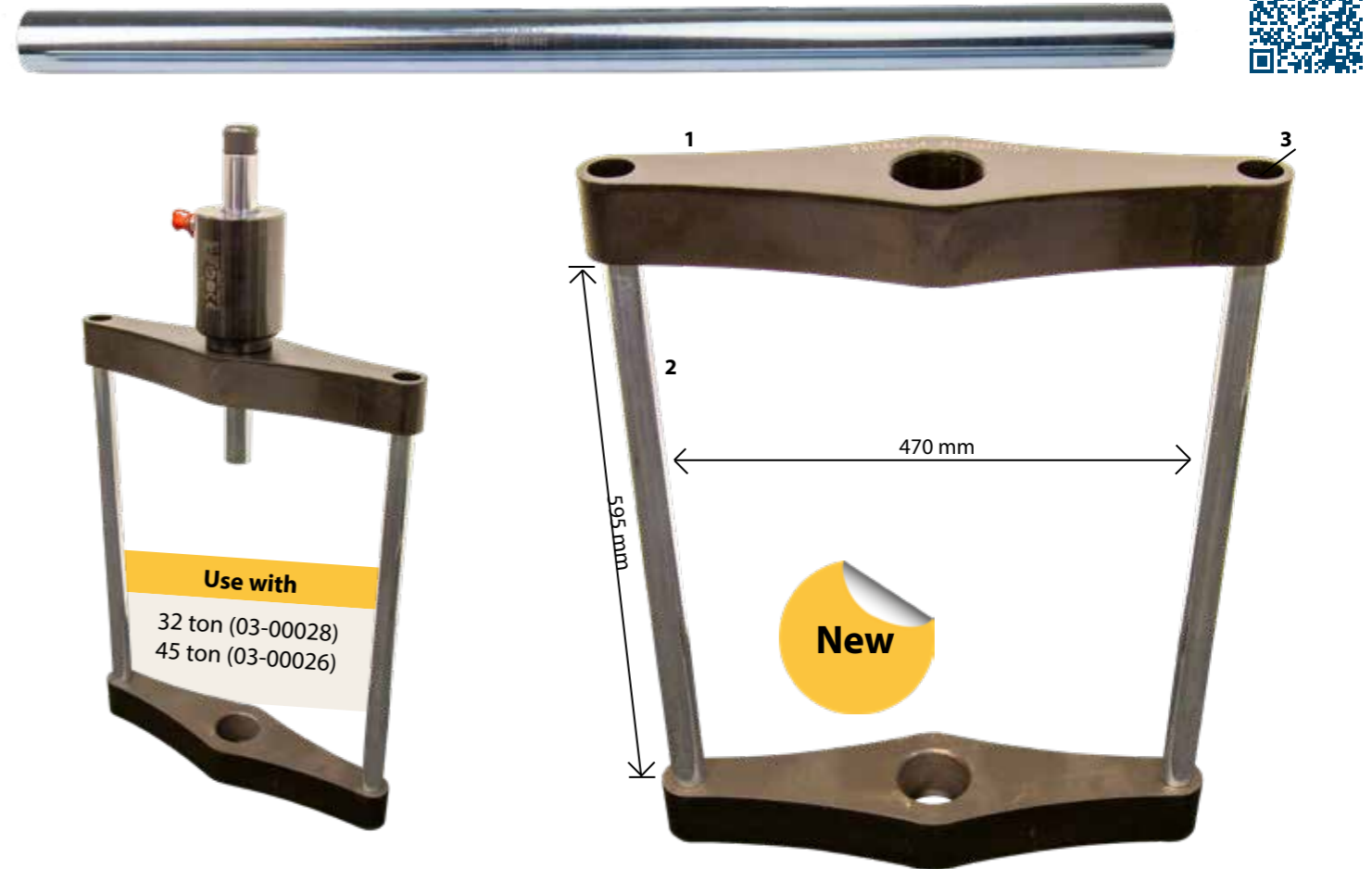

Press block
03-00031-500

Extra wide press block developed for crane cars and the kingpins in the crane arms. Fits everything from crane cars to container side-loaders.

Contains these parts:

1. (2x) 03-00031-502 - Fixing plate extra wide, threaded
2. (2x) 03-00031-201 - Support rod 595 mm
3. (4x) 03-00003-005 - Screw M22x60 12.9, allen

The press block will fit these support rods as well: 390 mm rod (03-00004-003), 500 mm rod (03-00003-004)

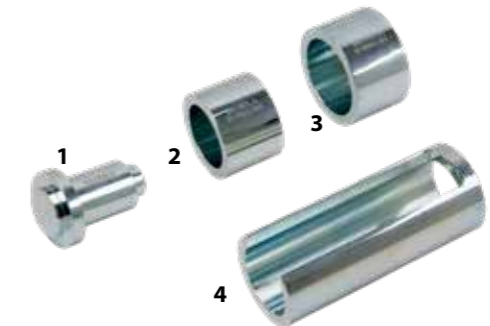

Bolt Removal Tool – Hydraulic Lift Cylinder Disassembly for Fendt and More
03-00045

The set fits both the upper and lower bolts during disassembly of the hydraulic lift cylinder mounted on Fendt and Massey Ferguson tractors.

The press block 1090-55-C together with the 18T hydraulic cylinder 01-00030 is used in combination with the kit to provide access and force. Over time, both bolts tend to seize in the tight and exposed area of the lift unit. The kit is designed to, together with the accessories, access both bolts during disassembly. In addition to these bolts, the hydraulic cylinder and press block are also highly useful for various other repair tasks on machinery.

Contains these parts:

1. 03-00045-001 - Press adapter L=65 mm
2. 03-00045-002 - Press socket Ø42 mm
3. 03-00045-003 - Press socket Ø52 mm
4. 03-00045-021 - Slotted tube L=135 mm



32T Universal basic set for commercial truck and bus garages 03-00021-020

Dismantling tools for steering joints, wheel bolts, wheel hubs and slack adjusters.
 This set comes with the tools needed for straight and conic kingpins, spring bushings, drawbars and large lock rings.

- Contains these parts: 03-00021-020, 32T**
- | | | |
|--|--|-----|
| 1. (2x) 03-00016-001 - Press foot for hub puller | 9. 03-00006-016 - Press plate Ø 44 mm | 32T |
| 2. (2x) 03-00003-005 - Screw M22x60 12.9 | 10. 03-00006-017 - Press plate Ø 63 mm | |
| 3. 01-00004 - Lock ring tool | 11. 03-00006-018 - Press plate Ø 57 mm | |
| 4. 04-00028 - Hydraulic ball joint puller | 12. 03-00006-021 - Press plate | |
| 5. 03-00028 - Hydraulic cylinder 32 ton | 13. RES4026 - Drawbar M18/M22, 250 mm | |
| 6. 03-00006-013 - Press plate Ø 59 mm | 14. RES4024 - Flange nut M18 | |
| 7. 03-00006-014 - Press plate Ø 63 mm | 15. 03-00031-32T - Universal set for Kingpin | |
| 8. 03-00006-015 - Press plate Ø 50 mm | | |



45T Universal basic set for commercial truck and bus garages 03-00021-021

Dismantling tools for steering joints, wheel bolts, wheel hubs and slack adjusters.
 This set comes with the tools needed for straight and conic kingpins, drawbars and large lock rings.

- Contains these parts 03-00021-021, 45T**
- | | | |
|--|---|-----|
| 1. (2x) 03-00016-001 - Press foot for hub puller | 4. 04-00028 - Hydraulic ball joint puller | 45T |
| 2. (2x) 03-00003-005 - Screw M22x60 12.9 | 5. 03-00026 - Hydraulic cylinder 45 ton | |
| 3. 01-00004 - Lock ring tool | 6. 03-00031-45T - Universal set for Kingpin | |



In use

"A lot of jobs would be impossible without these tools, the speed is a huge bonus. Without Wallmek tools in the shop the productivity and efficiency would be lower, simply more hassle!"

-Kjell Andersson, Alvesta Bilservice AB, Sweden



70T Universal basic set for commercial truck and bus garages

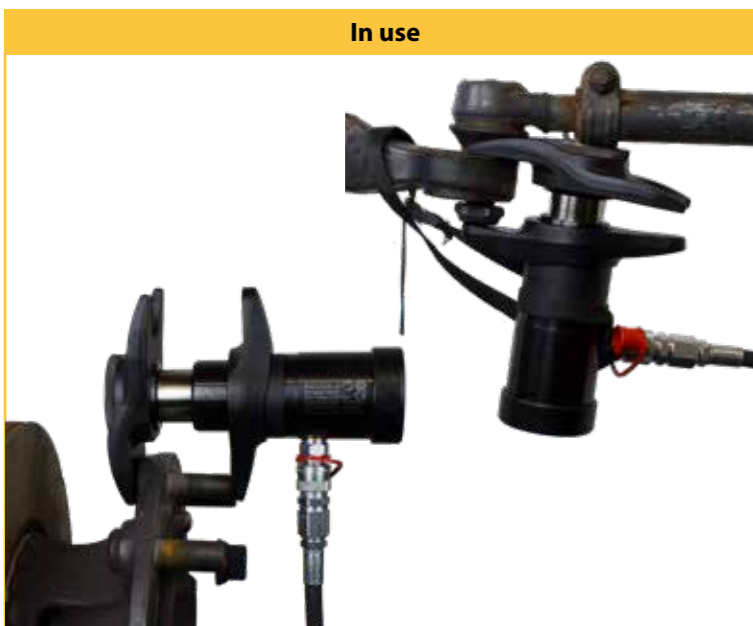
03-00021-022

Dismantling tools for steering joints, wheel bolts, wheel hubs and slack adjusters.

The set comes with tools for efficient jobs on straight and conic kingpins, drawbars and large lock rings

Contains these parts: 03-00021-022, 70T

- | | |
|--|--|
| 1. (2x) 03-00016-001 - Press foot for hub puller | 4. 03-00044 - Hydraulic cylinder 70 ton |
| 2. 01-00004 - Lock ring tool | 5. 03-00048T - Universal set for Kingpin |
| 3. 04-00028 - Hydraulic ball joint puller | |



When Tools Become Poetry

We've long had a romantic idea of tools. Solid stuff. Steel things you hold in your hand that just get the job done. A hammer hammers. A jack lifts. A wrench tightens the nut until it clicks—or breaks. There's something reassuring about that—clear roles, no surprises. Like an old boys' room: you knew what was what, who did what, and nothing had to be questioned.

But then the world got complicated. Trucks became computers on wheels. Workshops started looking like operating rooms. And suddenly, an old toolbox from the '80s didn't cut it anymore. Sheer force wasn't enough—you needed finesse, too.

That's where Wallmek steps in—not as a quick fix, but as a whole way of thinking. They don't just make tools. They build systems. Not just a new product line—but a new language for solving problems that are no longer simple or predictable.

Take their 45-ton hydraulic cylinder. It's not just a beast that looks like you'd need a license to handle—it also knows when the job is done.

It rebounds with the confidence of an elite athlete, not some old press. And maybe that's the most surprising part: that something so brutally strong and unexpectedly smooth doesn't just exist—it outperforms everything else.

And that's the thing about Wallmek. Everything they do is built on the idea that things change. A tool that's pressing out a wheel bearing one moment can be dismantling a bushing the next—without hesitation.

And bushings... well, that's a story in itself. Because if anything can turn a seasoned mechanic into a cursing amateur archaeologist, it's rusted-in bushings.

They sit there, in the backbone of the vehicle, like they've been welded into the DNA of the metal. But with the right tool—like one from Wallmek—they're no longer a battle. They're just a task. In and out. That's it.

So what is Wallmek, really? It's like someone took the soul of the old workshop—the steel, the grip, the smell of grease and iron—and gave it a brain. Not to make things harder, but so you don't have to bang your head against the wall every time the auto industry comes up with something new.

Because in a world where problems are multiplying, the tools have to get smarter. And maybe—just maybe—the manliest thing isn't to never give up, but to know when it's time to change your approach.



"Brutally powerful and surprisingly graceful."

Tool trolley with 9 drawers

04-00022

Double tool trolley with totally 9 drawers developed for Wallmek toolsets and foams.

The trolley is equipped with a large top drawer for cylinders and accessories. All drawers are locked individually and with a central lock system for extra safety during transport, storage and normal use. All drawers open fully with heavy duty ball bearing slides. Tools and foamer are ordered seperately.

Internal measurements for each drawer:

- H 100xB 585xD 418 mm (4 pc)
- H 155xB 585xD 418 mm (3 pc)
- H 263xB 585xD 418 mm (1 pc)
- H 135xB 1247xD 418 mm (topdrawer) (1 pc)

Dimensions: H 1155xB 1375xD 480 mm
Weight: 158 KG



Ball-bearing slides with full extension.

The large axle wheels in combination with four swiveled wheels make the trolley easy to handle fully loaded with tools.



Our storage system is made for automotive and truck garages that wants to take the next step in efficiency and profit. The technician can put all his time towards finishing the job instead of spending time trying to find the right tools.
"The system simplifies inventory, replenishment, and control of special tools – everything has its place."

Tool cart

04-00022-300

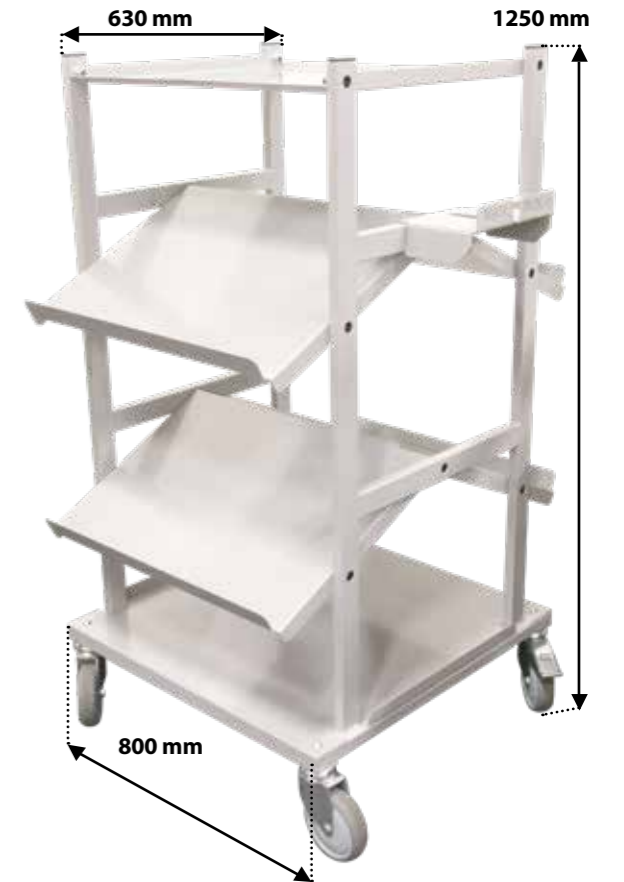
This sturdy construction comes with a large working surface. The large wheels makes it easy to transport even when fully loaded.

4 sturdy shelves which has been designed to hold our foams and a large storage area/working surface at the top.
Tools not included.

Dimensions H 1250xB 800xD 630 mm. **Weight:** 38 KG



04-00022-301 Removable storage shelf.
1 included, can be purchased seperately.



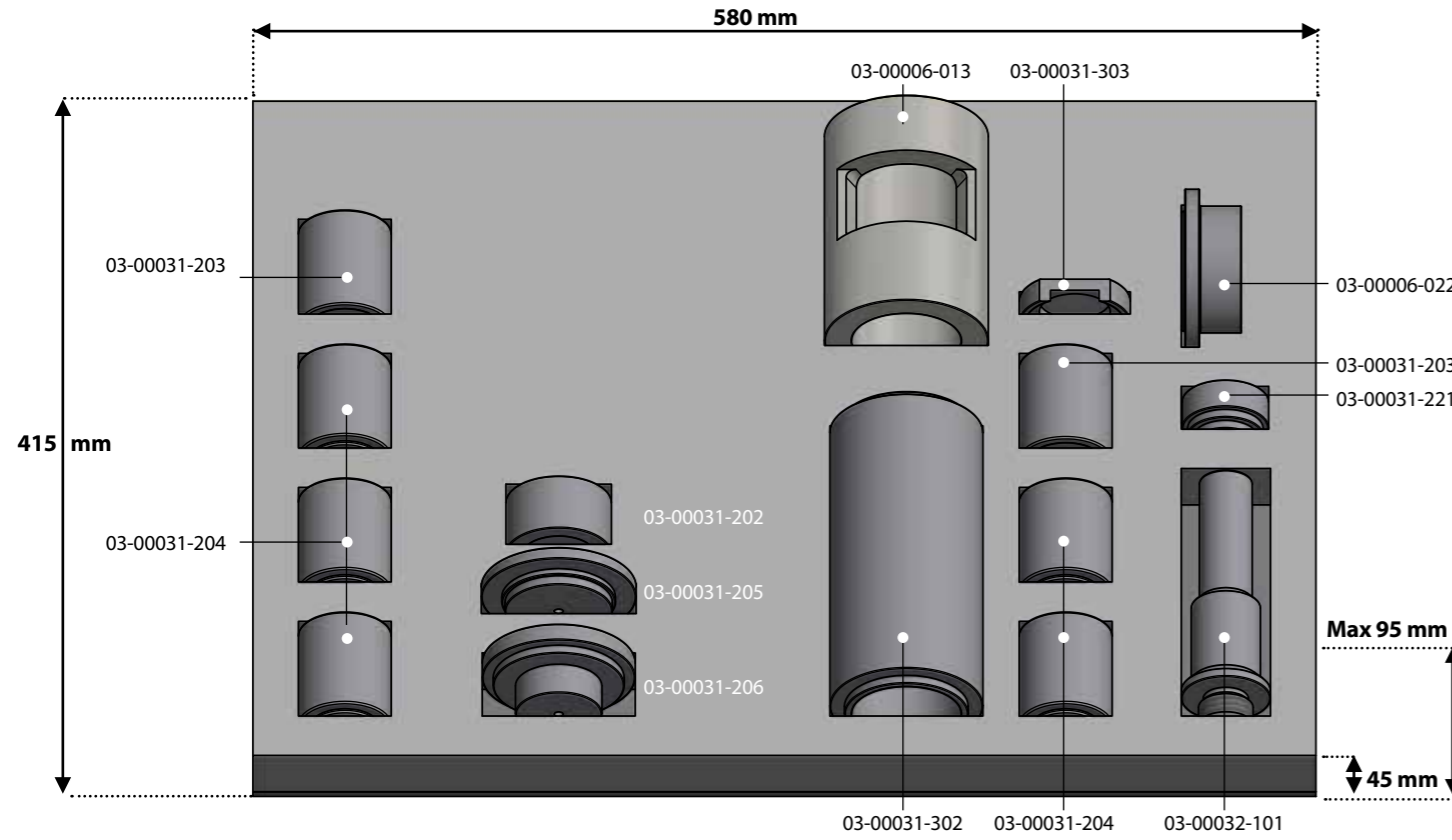
4 sturdy shelves designed to hold our foams.

Foam to SAF, BPW etc.

04-00022-013



Tool foam, tools not included. **Foam dimensions:** 580 x 415 x 45 mm. **Maximum height with tools:** 90 mm

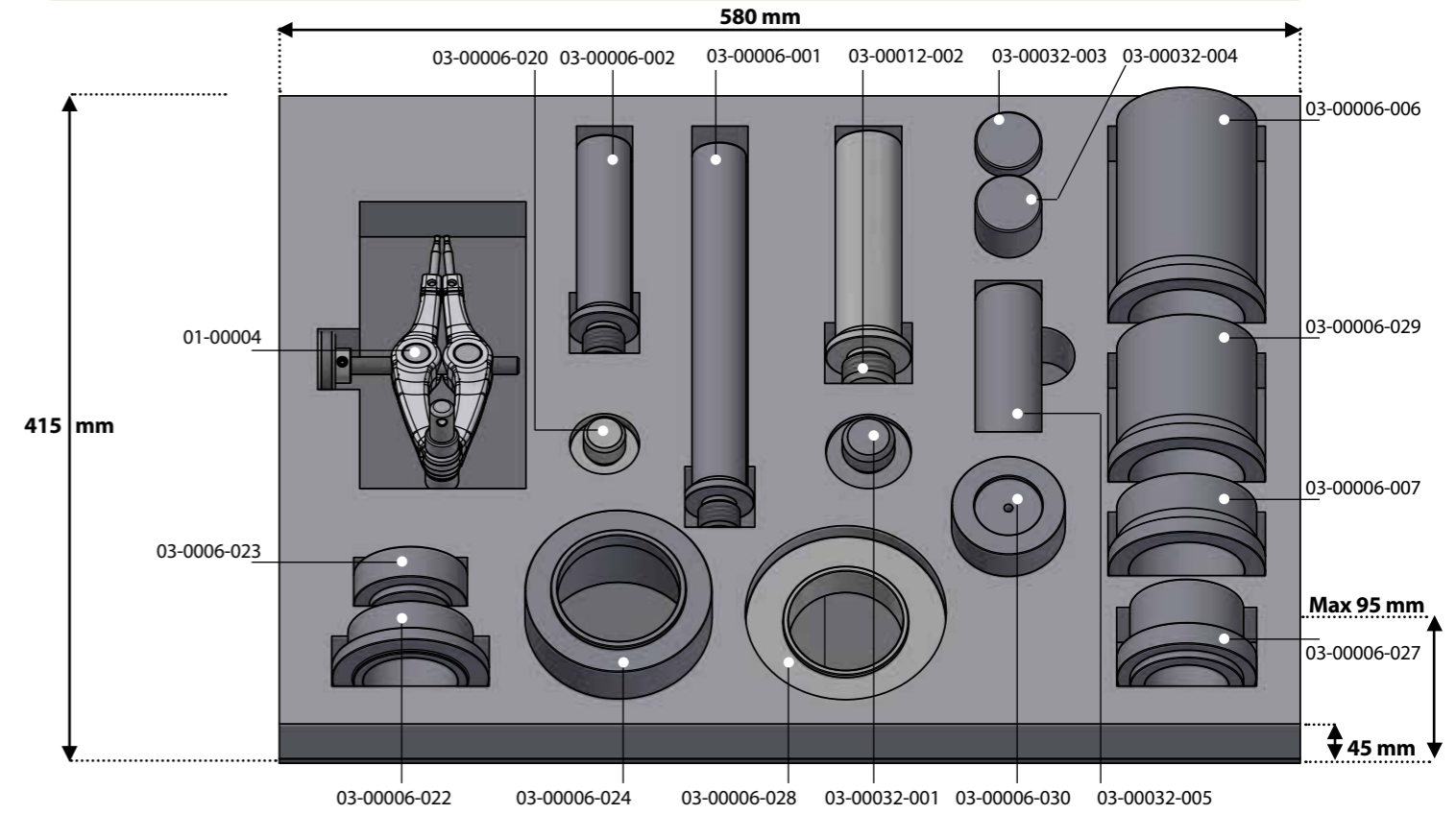


Foam to 03-00031-32T/45T

04-00022-024



Tool foam, tools not included. **Foam dimensions:** 580 x 415 x 45 mm. **Maximum height with tools:** 95 mm

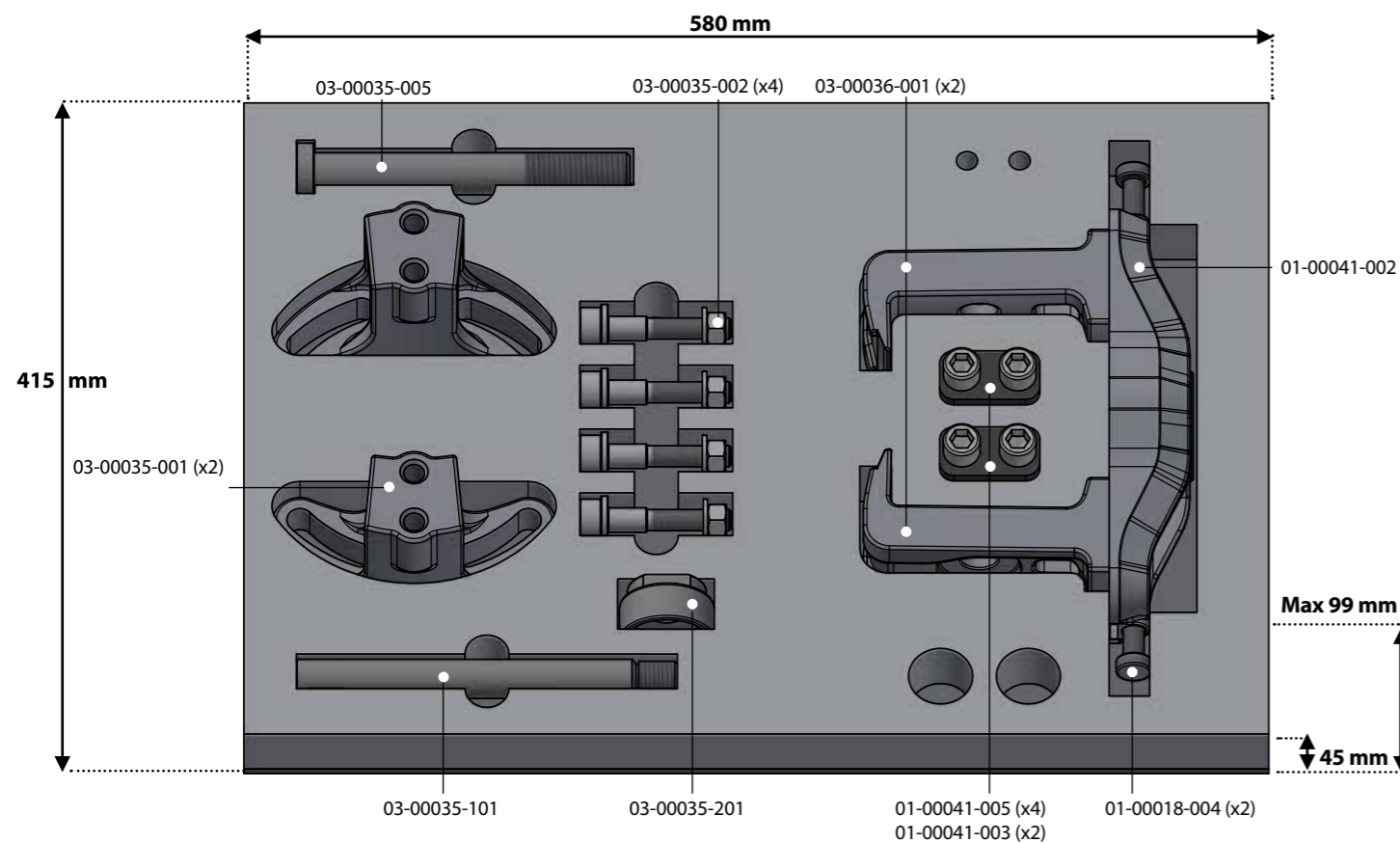


Foam to 03-00035-300

04-00022-016



Tool foam, tools not included. **Foam dimensions:** 580 x 415 x 45 mm. **Maximum height with tools:** 99 mm

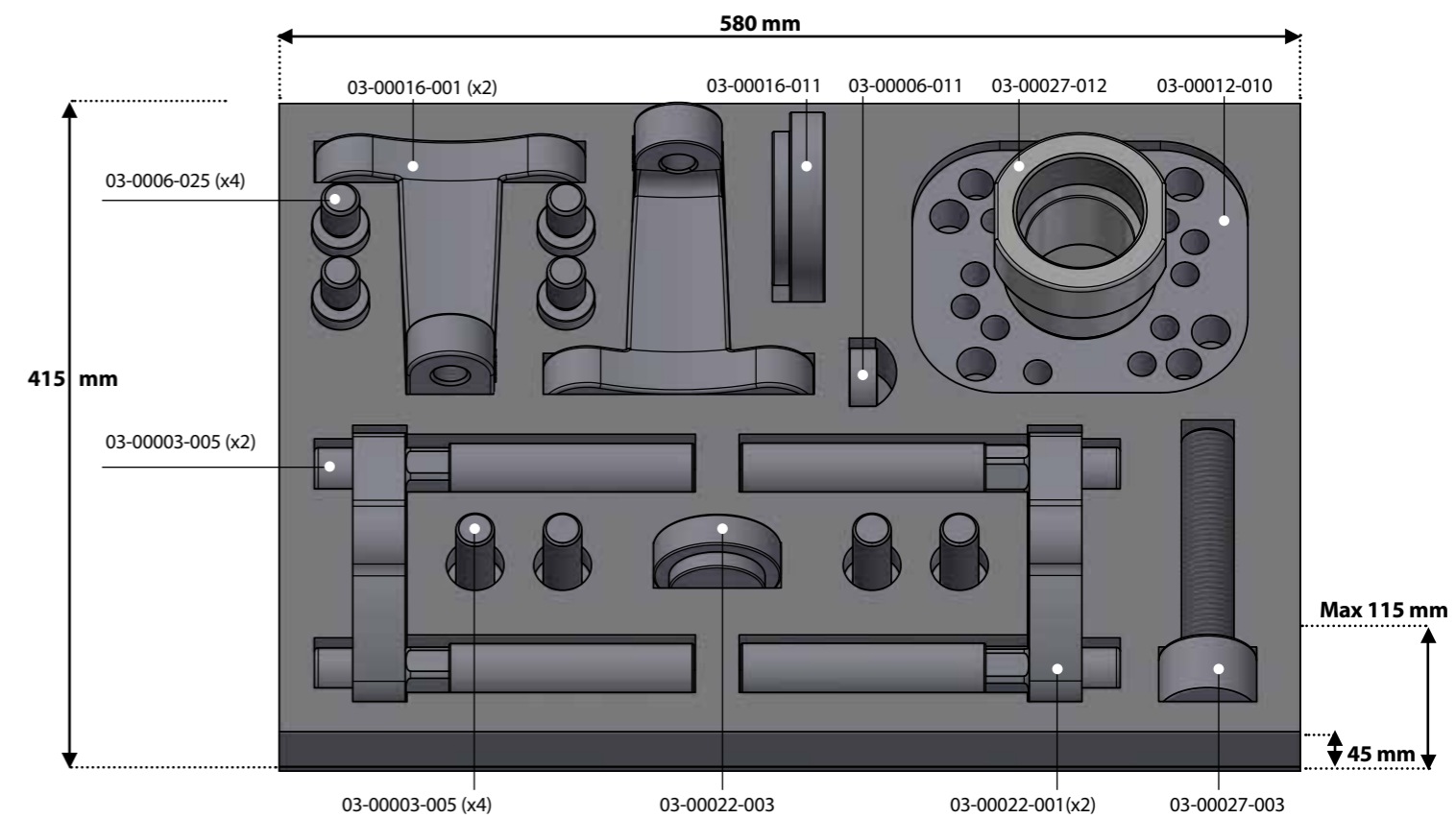


Foam for truck hub

04-00022-025



Tool foam, tools not included. **Foam dimensions:** 580 x 415 x 45 mm. **Maximum height with tools:** 115 mm

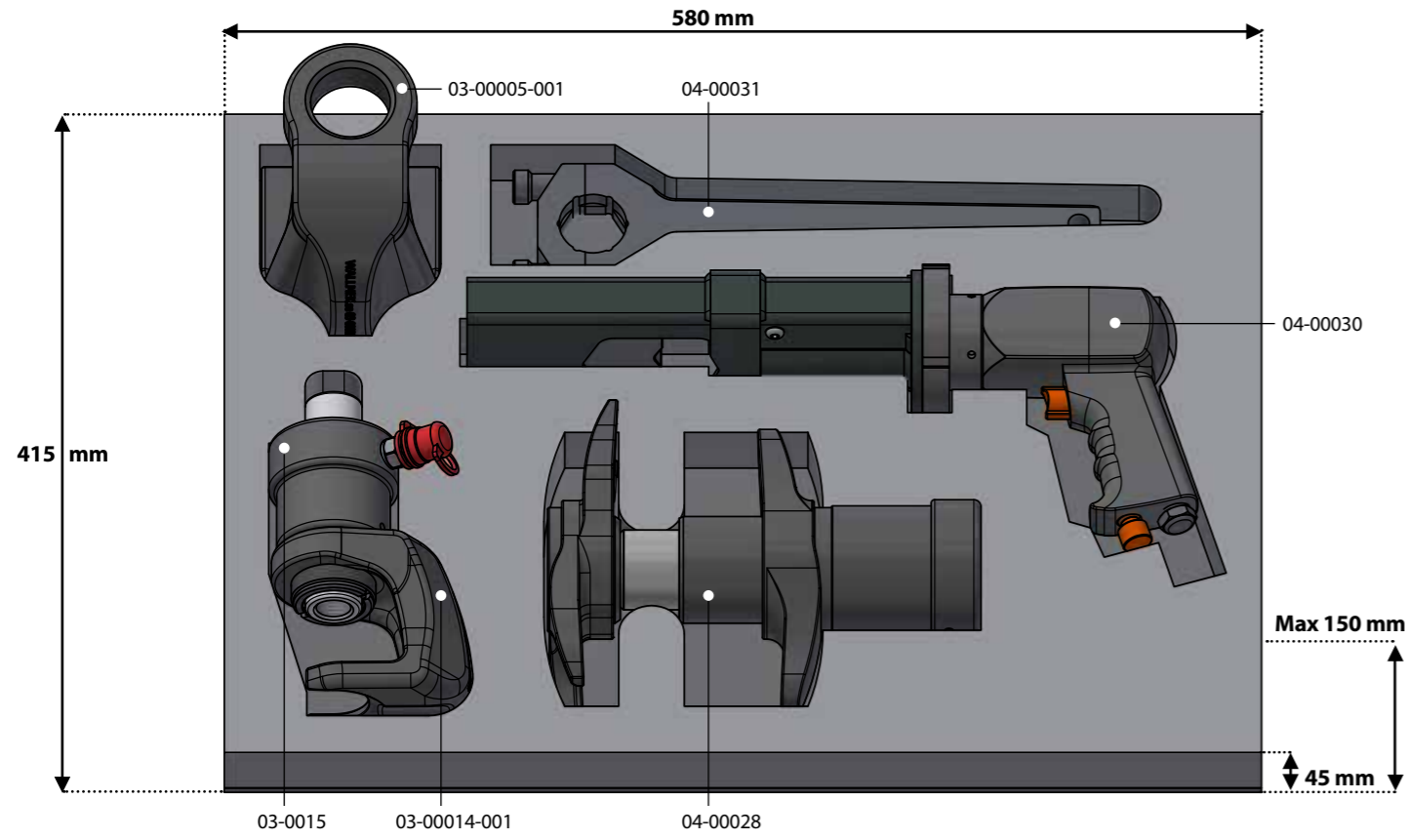


Foam to 04-00028, Bat-Truck etc.

04-00022-026



Tool foam, tools not included. Foam dimensions: 580 x 415 x 45 mm. Maximum height with tools: 150 mm

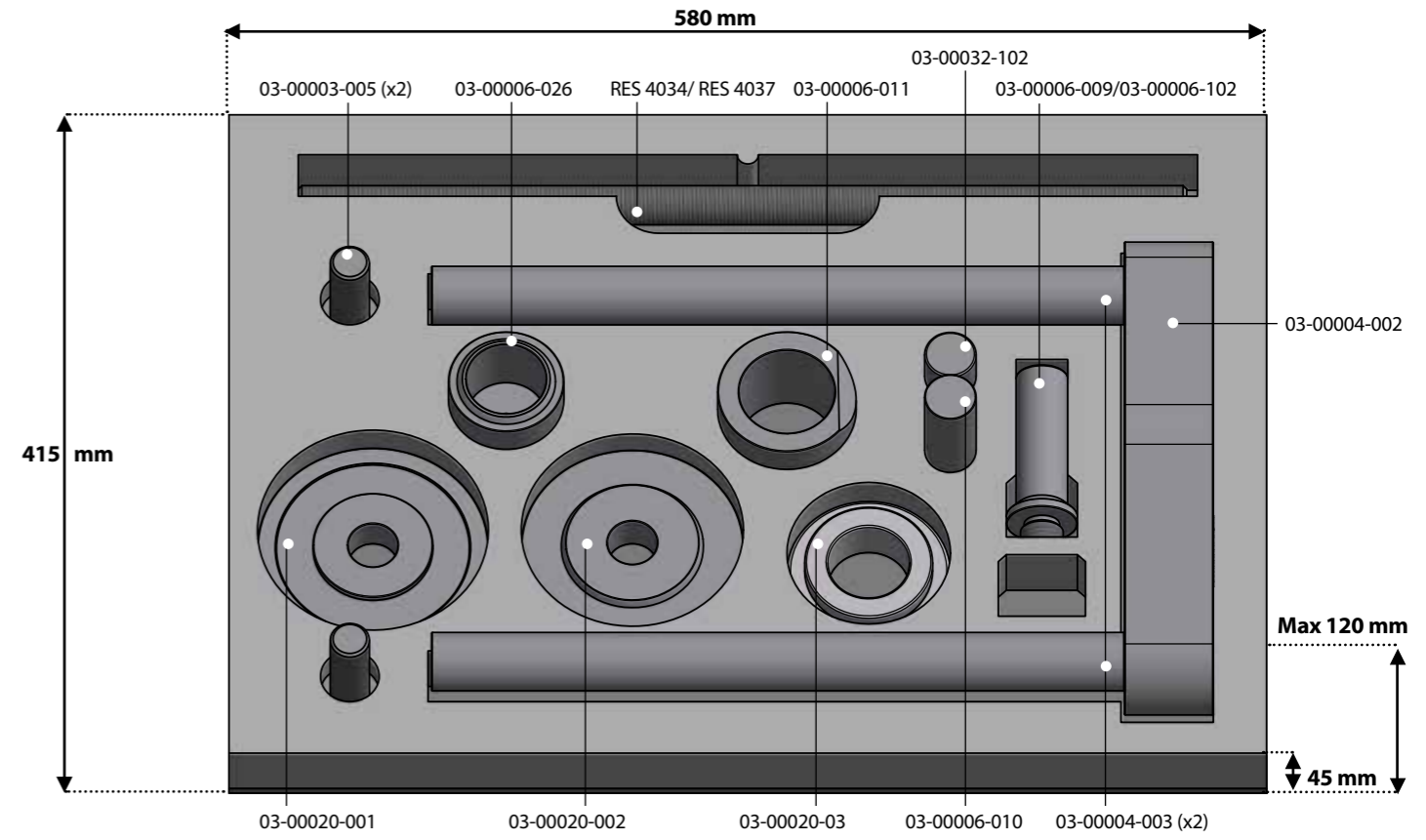


Foam to 03-00008 and 03-00020

04-00022-028



Tool foam, tools not included. Foam dimensions: 580 x 415 x 45 mm. Maximum height with tools: 120 mm

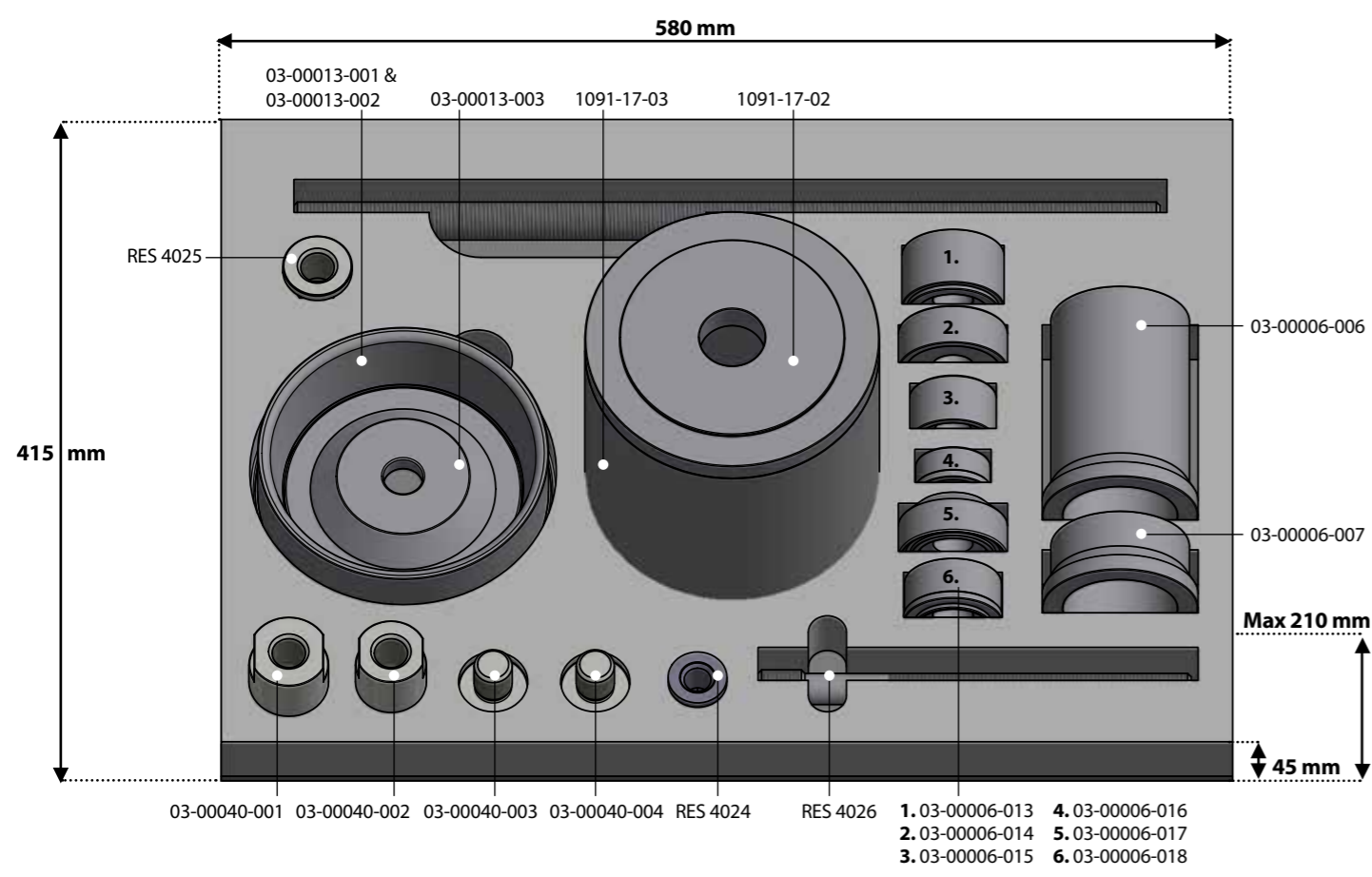


Foam to truck bushings

04-00022-027



Tool foam, tools not included. Foam dimensions: 580 x 415 x 45 mm. Maximum height with tools: 210 mm



Our foamers are custom-designed to fit Wallmek's tool trolleys.

The trolleys offer a generous work surface. With our tool trolleys, you'll work more ergonomically, efficiently, and in a well-organized way.

Wallmek – when you want to save time and work smarter.

INVEST IN TIME

Fuel tank drainer 115L, with EX certificate

L1050-E

- ✓ Made of stainless steel with a volume of 115 liters.
- ✓ Approved for petrol, diesel, and ethanol.
- ✓ Uses vacuum when draining the car, and pressure when emptying the fuel drainer.
- ✓ Large wheels make it mobile and easy to move.
- ✓ The fuel drainer has an overfill protector, safety vent and pressure regulator.
- ✓ No movable parts that can get damaged by fuel or particles.
- ✓ Safe, fast (max 15 l/min) and quiet operation.

Comes with the drainer:

1. L1054-1 - Fuel refill pipe, 15 litre/min.
2. L1054-2 - Suction adapter, coned.
3. L1063 - Stainless steel hose with quick coupling for draining fuel through long, bent and complicated fuel tank filler necks with L1050 and L1050-E.

Diameter: 12 mm. **Length:** 1,9 m.

Suction capacity: 7 litres/min



Water separator, Petrol, Diesel and Ethanol (E85)

L2015

Cleans petrol and diesel effectively from water and particles.

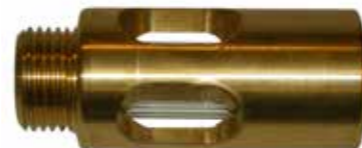
For mounting on fuel tank drainer no: L1050-E.
Easy inspection through sight glass.
Drains from bottom valve.
Volume: 3,5 litres.
Picture shows separator fitted on fuel tank drainer.



Liquid indicator 1/2"

05-0001

For mounting on the fuel tank drainer fuel hose. 1/2" pipe thread.



Oil drainer 115l, with EX- certificate

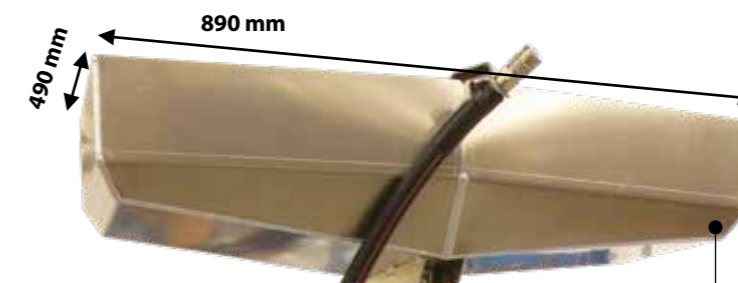
L2430

Designed and developed for long lifetime and safe draining of waste oil for Auto shops and recycling stations.

A cars engine oil will get diluted with fuel over time. The resulting waste product is classified as a flammable liquid. It can catch fire easily and must be handled with products designed and approved for handling this liquid. This means the oil drainer needs to be delivered with a manual with an EX classification plan and approval for **EX-classed environments!**

This oil drainer is also equipped with a grounding cable, antistatic wheels, and hoses to decrease risks further. The pressure vessel is made from stainless steel and has no moving pump parts. With robust valves, hoses, and connections, this oil drainer is safe to use and has a long life.

The drainage tray is made of aluminium and measures 890 mm (L) by 490 mm (W). This generous size allows for the draining of the engine and gearbox simultaneously. The drainer can also suction oil/ AdBlue/glycol/washer fluid with a powerful vacuum, even while draining with the tray. The container is emptied by air pressure, no extra pump is needed to transfer the waste oil to external storage tanks. Probes for draining rear axles, gearboxes and power steering systems are included with the drainer.



Oil drainer 115 l

- ✓ The drainer is delivered with a grounding connection, antistatic hoses, and wheels.
- ✓ Adapter kit with four suction probes included.
- ✓ No moving pump parts.
- ✓ Oil pan made of durable aluminum.
- ✓ Simultaneous draining of engine and gearbox possible
- ✓ The container is made of stainless steel.
- ✓ Suction oil/ AdBlue/glycol/washer fluid .

In use



**Save time. Save money.
Save the environment. With Wallmek.**

We believe in simplicity – in powerful solutions that not only change the way you work, but also the way you think about repairs. Our specialized tools are not just effective – they’re a revolution in sustainability.

By repairing instead of replacing entire units, you save resources and reduce CO₂ emissions. It’s a win-win – for you and the environment. We’ve designed our tools to deliver superior performance, year after year. For every use. For every repair.

More than just tools.

When you invest in Wallmek, you’re investing in the future. Each product is carefully developed to last and to make a difference.

Our commitment is simple:

To help you work smarter while doing something good for the planet.

More efficient. More sustainable. Better.

Wallmek is more than just tools – it’s a step toward a greener future. Choose innovation. Choose sustainability. Choose Wallmek.



WALLMEK'S STAFF IS READY TO ASSIST YOU WITH SUPPORT



MEET WALLMEK ON TOUR



SEE OUR TOOLS ON WWW.WALLMEK.SE/EN

Chapters

ACCESSORIES FOR HYDRAULIC CYLINDERS.....	46
ACCESSORIES HYDRAULIC LIFTING DEVICE.....	8
BALL JOINTS & STEERING RODS	24
BRAKE DISC	22
BUSHINGS.....	28
DRIVETRAIN.....	34
FUEL TANK DRAINER	62
HYDRAULIC CYLINDERS.....	40
HYDRAULIC LIFTING DEVICE.....	6
IVECO DAILY	37
KINGPIN	10
OIL DRAINER.....	63
PUMPS.....	48
SPRING BOLT SET	23
STARTER SETS	52
STORAGES & FOAMS	56
TRACK & PINS	50
VBG.....	27
WHEEL & HUB	17

Contracting

HLD2025.....	6	03-00015	45
HLD2025-140	8	03-00015-020.....	45
HLD2025-150	8	01-00031	46
03-00031-32T.....	10	RES4031.....	47
03-00031-45T.....	11	1090-32	47
03-00048	12	RES4036.....	47
03-00048-010.....	12	RES4035.....	47
01-00004	17	RES4042.....	47
03-00025	22	RES4043.....	47
03-00025-010.....	22	RES4039.....	47
03-00034	22	RES4009.....	47
03-00040-001.....	23	04-00008-001.....	47
03-00040-002.....	23	04-00008-002.....	47
03-00040-003.....	23	04-00008-003.....	47
03-00040-004.....	23	04-00008-004.....	47
04-00028	24	04-00008-005.....	47
04-00028-302.....	24	04-00008-007.....	47
03-00030	26	1036	48
03-00005-001.....	26	1030	49
04-00030	26	04-00015	49
03-00038	29	04-00016	49
01-00003	32	04-00020	49
01-00001-500.....	33	03-00050	50
03-00036	35	03-00050-100.....	50
03-00044	40	03-00031-500.....	51
03-00026	41	04-00022	56
03-00028	42	04-00022-300.....	57
1090-02-WAL.....	44	L1050-E.....	62
01-00030	44	L2015	62
1090-03	45	05-00001	62

Product number index

01-00001-500.....	33	03-00040-003.....	23	RES4009.....	47
01-00003	32	03-00040-004.....	23	RES4010.....	47
01-00004	17	03-00041	37	RES4011.....	47
01-00030	44	03-00042	18	RES4012.....	47
01-00031	46	03-00044	40	RES4014.....	47
02-00011	37	03-00045	51	RES4015.....	47
02-00011-025.....	37	03-00046	30	RES4016.....	47
03-00005-001.....	26	03-00047	25	RES4021.....	47
03-00006-012.....	27	03-00048	12	RES4022.....	47
03-00006-022.....	16	03-00048-010.....	12	RES4023.....	47
03-00006-023.....	16	03-00048-050.....	16	RES4024.....	47
03-00006-024.....	16	03-00048-200.....	15	RES4025.....	47
03-00006-025.....	20	03-00048-220.....	14	RES4026.....	47
03-00008-32T.....	23	03-00048-300.....	14	RES4027.....	47
03-00008-45T.....	23	03-00050	50	RES4031.....	47
03-00009	31	03-00050-100.....	50	RES4035.....	47
03-00010	27	04-00008-001.....	47	RES4036.....	47
03-00013	31	04-00008-002.....	47	RES4037.....	47
03-00015	45	04-00008-003.....	47	RES4039.....	47
03-00015-020.....	45	04-00008-004.....	47	RES4042.....	47
03-00016-011.....	20	04-00008-005.....	47	RES4043.....	47
03-00016-32T.....	20	04-00008-007.....	47		
03-00016-45T.....	20	04-00015	49		
03-00016-70T.....	20	04-00016	49		
03-00017	27	04-00020	49		
03-00020-32T.....	17	04-00021	46		
03-00020-45T.....	17	04-00022	56		
03-00021-020.....	52	04-00022-013.....	58		
03-00021-021.....	53	04-00022-016.....	58		
03-00021-022.....	54	04-00022-024.....	59		
03-00022	21	04-00022-025.....	59		
03-00023	36	04-00022-026.....	60		
03-00023-050.....	36	04-00022-027.....	60		
03-00025	22	04-00022-028.....	61		
03-00025-010.....	22	04-00022-300.....	57		
03-00026	41	04-00025	29		
03-00027-32T.....	21	04-00028	24		
03-00027-45T.....	21	04-00028-302.....	24		
03-00028	42	04-00030	26		
03-00030	26	04-00031	26		
03-00031-002.....	21	05-00001	62		
03-00031-32T.....	10	1030	49		
03-00031-45T.....	11	1036	48		
03-00031-200.....	15	1068	46		
03-00031-220.....	14	1090-02-WAL.....	44		
03-00031-300.....	14	1090-03	45		
03-00031-500.....	51	1090-32	47		
03-00034	22	1090-32-10	47		
03-00035	34	1090-32-12	47		
03-00035-101.....	34	1090-32-14	47		
03-00035-201.....	34	1090-32-20	47		
03-00035-300.....	35	HLD2025.....	6		
03-00036	35	HLD2025-140	8		
03-00037	28	HLD2025-150	8		
03-00037-200.....	28	L1050-E	62		
03-00038	29	L2015	62		
03-00040-001.....	23	L2430	63		
03-00040-002.....	23	RES4008.....	47		

Address

Barnebergsgatan 35
442 40 Kungälv
Sweden

Contact

Tel: +46 (0) 303 - 585 80
E-mail: info@wallmek.se
Web: www.wallmek.se

HD TRUCK, BUS, TRAILER AND CONTRACTING

