

INVEST IN TIME



FUEL HANDLING

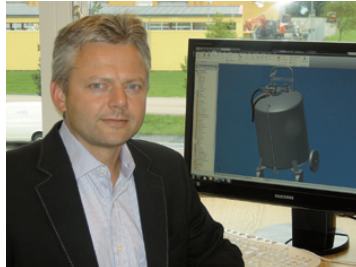


CAR DISMANTLING

EQUIPMENT AND SPECIAL TOOLS FOR CAR DISMANTLING

WALLMEK
í Kungälv AB

The Original since 1978



Company profile:

Wallmek i Kungälv AB was started in 1978, producing and designing special tools for car repairs. Wallmek stands for idea and design of tools, up to delivery of a complete product to the customer. Our products are in the segments of chassis tools and liquid handling equipment.

The Wallmek research and development department works in close cooperation with automotive workshops to ensure the best possible productivity, ergonomics and health. We are very good at designing hydraulic tools that enable repairs directly on the car, handling of fuel when tank repairs are necessary and to make drainage systems for car dismantlers. Today Wallmek is developing tools directly for car manufacturers, after market and garages. For the car dismantling industry, we develop tools for draining all liquids from the cars to make them environmentally decontaminated.

As the company continues to expand, we are now also involved in customer segments like trucks, trailers and constructions machinery. In short terms – we develop Wallmek in a direction where our products make the best use for our customer.

Our mission:

To develop, produce and market our cost effective tools to our customers.

Important for us:

- Quality! – To exceed the customers expectations.
- Design! – Ergonomic, well thought out and functional products.
- Customer care! – Being present and always available for support.

Welcome to Wallmek i Kungälv AB

Niklas Wallman
Managing Director

The information “patent pending”, regarding patent applications for certain products in this brochure, only concerns the patent application Nos. (and markets covered by that patent application) explicitly stated in the immediate connection with patent pending indication.



04-00012 Catalytic cutter (auto shear) with a pneumatic stand for weightless handling

Extremely robust designed for frequent long term use. New unique, almost maintaining free design for longer life. A very safe and efficient way of cutting any catalyzer without lifting any weight.

The pneumatic hydraulic pump makes it totally free from electricity witch is crucial for use in a drainage station with flammable liquids and waste.

The heavy duty design with very few moving parts and almost no service need is important in industrial environments with different users. This cutter is a result of former experience of standard rescue cutters witch is not suited for this kind of industrial use.

The cutter can easily be dismantled from the stand with a quick coupling if need. The single blade is easy to regrind or replace with low cost.



SAFETY!

The cutter has absolutely no electric parts.

This is very important when using it in any environment or drainage hall where explosive or flammable liquids are handled daily.

The hydraulic pump is reduced to max 350 bar to further improve the safety for the user and extend the life time of the unit.

Glycol – windscreen wiper water – brake fluid – hydraulic oil

The equipment is adapted for draining about 4 cars per hour and station.

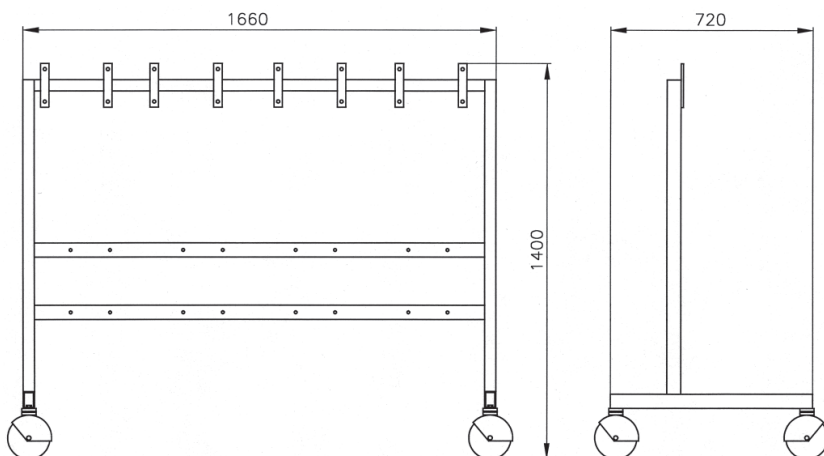
Fully enclosed system that is very flexible and environmentally friendly.

Thanks to minimal noise, all containers can be operated completely without ear protection.

- L2200 Wiper fluid, incl. suction probe L2200-02
- L2310 Brake fluid
- L2410 Hydraulic fluid, incl. adapter set
- L2510 Mobile station
- L1020 Hose reel
- L2320 Hose drum brake
- L2100 Coolant liquid, incl. coolant fluid spear



Example



L2510 Intelligent and powerful draining system without mechanical wear!

With a strong negative pressure, the liquids are emptied into the various containers. These liquids can then be sorted accordingly and transported to the storage tanks as needed.

The high pressure of 3 bar allows a very flexible arrangement of the storage tanks. The system does not contain any moving pump parts, which allows a long service life at very low operating costs.

Powerful and intelligent closed vehicle draining system for coolant, wiper-, brake- and hydraulic-fluid

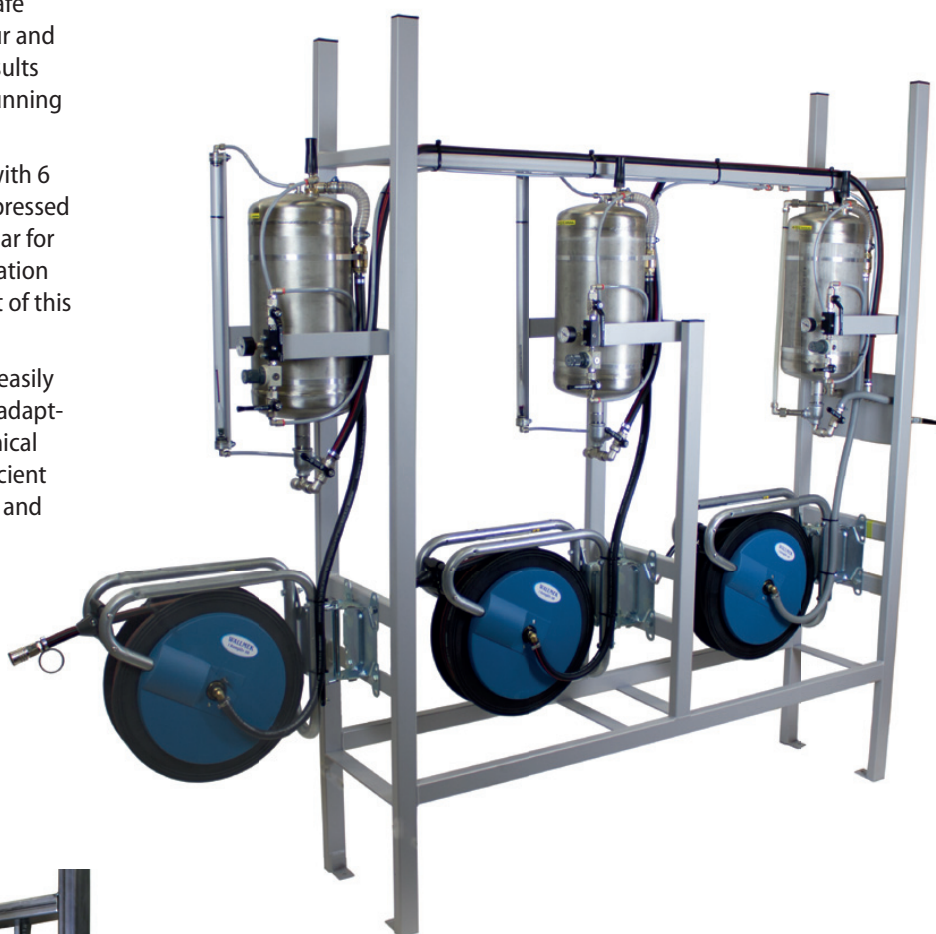
The system creates a clean, low noise and safe working environment. Drains 4 cars per hour and is designed without moving parts which results in an extreme long life span and very low running costs.

It's based on 15 litre stainless steel vessels with 6 meter suction hose which is driven by compressed air that can suck up to 8 meters of water pillar for draining and press up to 3 bar for transportation to a storage tank. This makes the placement of this tank very flexible.

Switching between suction and pressure is easily done with a 2-way ball valve. The system is adaptable after your needs. Compared to mechanical pump systems this system is very quiet, efficient and does not need expensive yearly service and maintenance.

Customized solutions!

Feel free to contact us and we are looking forward to make you a very effective proposal for a facility of this type for you.



Example



L2430 Oil drainer 115 litre

A cars engine oil will get diluted with fuel over time. The resulting waste product is classed as a flammable liquid. It can catch fire easily and needs to be handled with products designed and approved for this. This means the oil drainer needs to be delivered with a manual with a classification plan and approval for EX-classed environments!

This oil drainer is also equipped with a ground cable and both antistatic wheels and hoses to further decrease risks. The pressure vessel is made from stainless steel and has no moving pump parts. With robust valves, hoses and connections this oil drainer is both safe to use and has a long lifetime. The drainage tray is made of aluminium and measures 890 mm (L) by 490 mm (W). This generous size allows draining of engine and gearbox at the same time. The drainer can also suction oil with a powerful vacuum, even while draining with the tray. The container is emptied by 1 Bar of air pressure, no extra pump is needed to transfer the waste oil to external storage tanks. Probes for draining rear axles, gearboxes and power steering systems are included with the drainer.



Including adapterset L2420

Fuel tank drill with pneumatic powered stand to lift the drill to the tank.

Made for draining both plastic and metal fuel tanks, 10 litres/min without spilling.

Very mobile thanks to large rubber wheels (two lockable).

Fast and easy cleaning of borings.

For use with fuel tank drainer **L1050-E**.

The unit can also be ordered with a membrane pump mounted for pumping the fuel directly to a larger vessel instead of using a fuel tank drainer.

Fuel must be handled correctly to avoid accidents as well as unpleasant odors and vapors.



L2010



L2021



L2022

L2010, L2021 and L2022

The fuel tank drill no 2010 can be ordered without, or with one or two water separators. This way it's easy to switch between Diesel, Petrol and any Ethanol based fuel from E10 – E85.

For use with fuel tank drainer L1050-E.

Fuel handling for Petrol, Diesel and Ethanol (E85)

An efficient and very safe way to handle fuel. This drainer has no moving pump parts, this gives a very long life time compared to mechanical devices.



L1050-E Fuel tank drainer 115L

The fuel tank drainer is made of stainless steel with a volume of 115 litres approved for petrol, diesel and ethanol. It uses vacuum when draining the car, and pressure when emptying the fuel drainer. It is delivered with a set of adaptors and a special hose for long and complicated fuel filler necks (No: L1063). The suction hose uses a quick coupling for a fast, easy and tight connection. The fuel drainer is equipped with an overfill protector, safety vent and pressure regulator. Large wheels makes it mobile and easy to move. SAQ Approval TO 194/92 – 175 950. The fuel drainer has a very long lifetime since it does not have any movable parts that can get damaged by fuel or particles. Safe, fast (max 15 l/ min) and quiet operation. Fumes are disposed of through an exhaust hose. Adaptors No: 1, 2 and 3 are included in No: L1050-E.



Comes with the drainer:

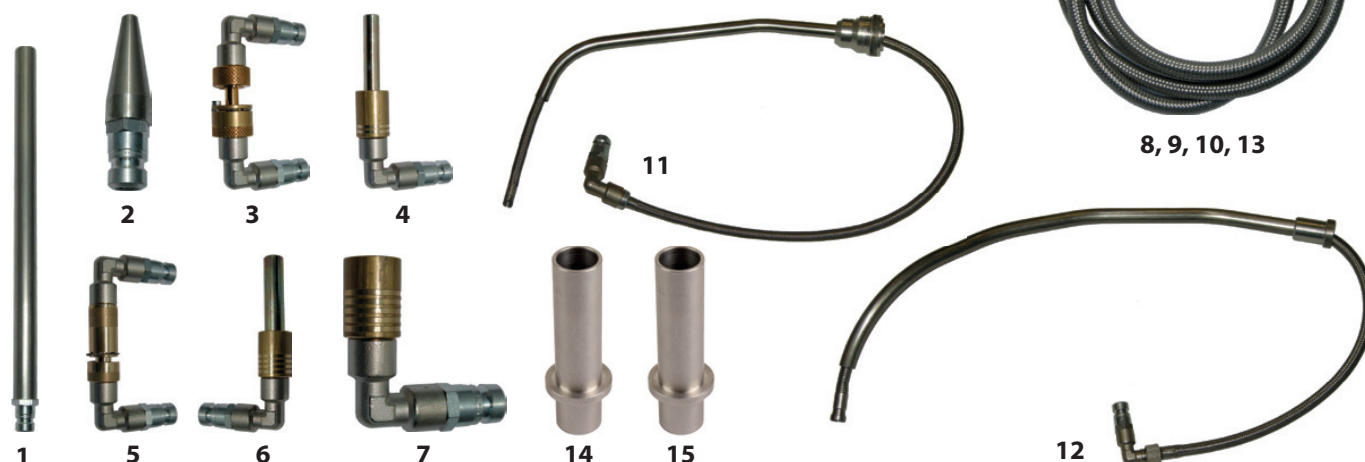
- L1054-1 Fuel refill pipe
- L1054-2 Suction adaptor, coned
- L1063 Stainless steel hose with quick coupling for draining fuel through long, bent and complicated fuel tank filler necks with L1050 and L1050-E.
Diameter: 12mm. Length: 1,9m. Suction capacity: 7 litres/min.

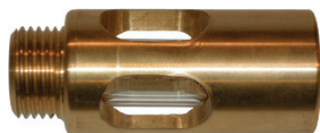
Accessories

- 1. L1054-1 Fuel refill 15 litres/min
- 2. L1054-2 Suction adaptor, coned 7 litres/min
- 3. L1055-1 Adaptor male/female 8mm pipe
- 4. L1055-2 Adaptor male/female 9,5mm pipe
- 5. L1055-3 Adaptor male/female 10mm pipe
- 6. L1055-4 Adaptor male/female 12mm pipe
- 7. L1055-5 Adaptor female 14mm pipe

Fuel suction hoses for long, bent and complicated fuel filler necks:

- 8. L1063 Fuel suction hose 12mmØ, 1,9m Suction capacity: 7 litres/min
- 9. L1063-2 Fuel suction hose 8,5mmØ, 2,25m Suction capacity: 2,5 litres/min
- 10. L1063-4 Fuel suction hose 12mmØ, 3m 7 litres/min
- 11. 05-00007 Fuel suction hose with pipe for Volvo S80 (2007-) S80L, V70, XC60, XC70 (2008-).
The pipe makes it possible to also drain the passive half of the fuel tank.
- 12. 05-00008 Fuel suction hose with pipe for Volvo V60 – S60, (2011-).
The pipe makes it possible to also drain the passive half of the fuel tank.
- 13. L1063-2 Fuel suction hose 8,5mmØ, 3m Suction capacity: 2,5 litres/min
- 14. 05-00006 Adaptor for lid less filling (petrol/E10-85) filling necks.
Unlocks and gives acces for draining and filling of fuel.
- 15. 05-00010 Adaptor for lid less filling (diesel) filling necks.
Unlocks and gives access for draining and filling of fuel..





05-00001 Liquid indicator ½"

For mounting on the fuel tank drainer fuel hose. ½" pipe thread.

L2015 Water separator Petrol, Diesel and Ethanol (E85)

Cleans petrol and diesel effectively from water and particles.

For mounting on fuel tank drainer no: L1050-E.

Easy inspection through sight glass.

Drains from bottom valve. Volume 3,5 litres.

Picture shows separator mounted on fuel tank drainer.



L2620 Fuel fume evacuating hose

Hose unit for evacuating petrol and diesel fumes away from the vehicle during the work with fuel tanks. It can also be used when draining and filling the car. When working with an open fuel tank armature the mechanic is exposed to petrol fumes and the car's interior can smell of fuel afterwards. This is avoided by sucking out the fumes through the fuel refill pipe. The evacuating hose is powered by a compressed air ejector that produces vacuum in the tank. The hose are then connected to an approved exhaust fan. Standard length 2,5 metres. Contact us for custom lengths.



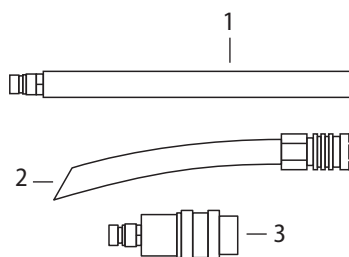
05-00009 Fuel drainer for trucks and busses

The fuel suction unit is intended, approved and EX classed for ethanol, diesel and petrol. It is equipped with 4 wheels but it can also be handled using a pallet lifter or a fork lifter. The fuel suction unit is made from stainless steel. Its capacity is 630 liters and it weighs 145 kg when empty. The fuel suction unit is powered by a pneumatic diaphragm pump that drains and fills with 20 lit/min. An overfill protection device automatically breaks the air supply to the pump if the fuel level in the fuel suction unit is too high.

The fuel suction unit is equipped with a bleed hose fitted with a flame guard, which is connected to the vehicle exhaust extraction system when draining vehicles to achieve odorless fuel handling.

The unit is supplied with three suction and filler adaptors.

1. L1054-1 Fuel refill 15 litres/min
2. 05-00009-002 Fuel hose ½", 3 m
3. 05-00009-003 Adaptor Tema 1800 – Parker NS



630L



Hydraulic cylinders

01-00030 Hydraulic cylinder 18 ton

18 tons pressing and pulling "light weight" hydraulic cylinder in a compact size with automatic return of the piston, only 2,8 kg. Designed for everyday use in auto repair shops.

Can be used with all of our passenger car tools and carriage beams M10-M22 with the proper adaptor.

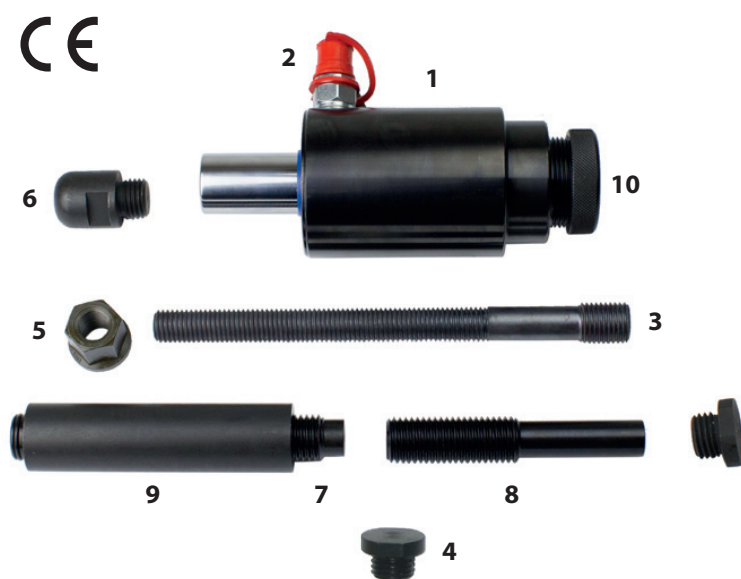
The cylinder's hydraulic pressure can be combined with punching force when using the punching socket 1086-6. For example when pressing a rusted axle shaft.

Weight: 2,8 kg. Stroke: 50 mm.

Automatic return.

Patent Pending European Application No. EP15189415.1

Patent Pending US Patent Application No. 15/290.852



Parts in the set:

- | | |
|---|---|
| 1. 01-00030-001 - Hydraulic cylinder 18 ton | 6. 1086-6 - Punching socket M22x2,5 |
| 2. Res 4306 - Hydraulic quick coupling | 7. Res 1090-01-10 - Adjustable press rod 100mm, M24 |
| 3. Res 4026 - Carriage beam M18/M22, 250mm | 8. Res 1090-01-12 - Adjustable press rod 132mm, M24 |
| 4. Res 1090-01-09 - Press plate M24x3 | 9. 01-00030-005 - Press rod |
| 5. Res 4024 - Flange nut M18 | 10. 09-1090-01-11 - Lid for back end |

1090-02-WAL Hydraulic cylinder 22 ton

22 tons pressing and pulling hydraulic cylinder in a compact size with automatic return of piston. Designed for everyday use in auto repair shops.

Can be used with all of our passenger car tools and carriage beams M10-M22 with the proper adaptor.

The cylinder's hydraulic pressure can be combined with punching force when using the punching socket 1086-6. For example when pressing a rusted axle shaft.

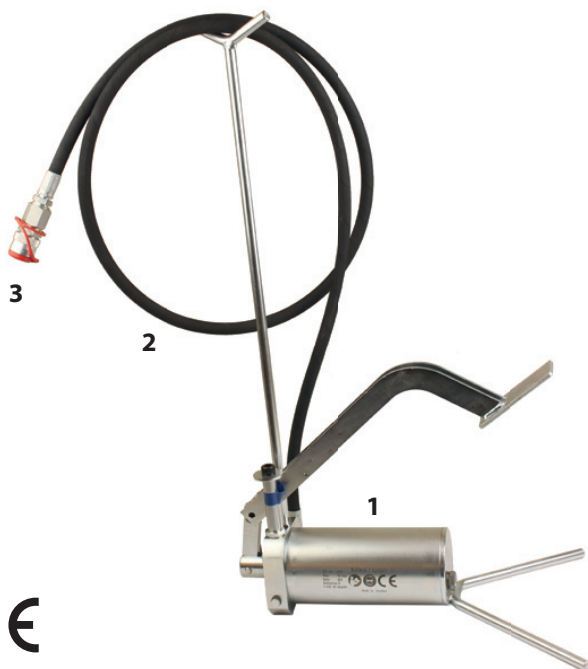
Weight: 4,7 kg. Stroke: 70 mm.

Automatic return.

Parts in the set:

- | |
|---|
| 1. 1-1090-02 - Hydraulic cylinder 22 ton |
| 2. 1086-6 - Punching socket M22x2,5 |
| 3. RES 1090-01-09 - Press plate M24x3 |
| 4. RES 1090-01-10 - Adjustable press rod 100mm, M24 |
| 5. 09-1090-01-11 - Lid for cylinder gable |
| 6. RES 1090-02-04 - Press axle 151mm, M24x3 |
| 7. RES 1090-05-02 - Adjustable press rod 109mm, M24 |
| 8. RES4024 - Flange nut M18 |
| 9. RES4026 - Carriage beam M18/M22, 250mm |
| 10. RES4306 - Hydraulic quick coupling, male |





1030 Hydraulic foot pump

Hydraulic foot pump 700 bar for use with all of our hydraulic cylinders. 2,2 m hose and drip-free quick coupling. Oil tank volume 0,75 litres.

Parts in the set:

1. 1-1030 - Hydraulic foot pump
2. RES 1030-02 - Hydraulic hose for 1030 & 1035
3. RES4304 - Hydraulic quick coupling, female



1036 Pneumatic, variable hydraulic pump



Pneumatic driven hydraulic pump with variable speed for better control. Max pressure 700 bar for use with all of our hydraulic cylinders. The pump is delivered with a pressure gauge next to the pedal and 2,2 m hose and drip-free quick coupling. Oil tank volume 1,3 litres.

Parts in the set:

1. 1-1036 - Pneumatic, variable hydraulic pump
2. RES 1030-02 - Hydraulic hose for 1030, 1035 & 1036
3. RES4304 - Hydraulic quick coupling, female



04-00020 Hydraulic oil 1 L

High quality hydraulic oil, optimal for Wallmek's hydraulic tools and pumps. Regular hydraulic oil change and correct volume increases the operation time of the components.



04-00015 Safety cover with catch strap

Additional item for hydraulic operation directly on the car. Prevents damage if parts brakes or falls down.



04-00016 Pressure gauge set for hydraulic pumps 1030 and 1035

A complete kit with coupling and nipple for connection directly to any Wallmek hydraulic pumps. The hydraulic cylinders manual includes a chart that shows the maximum oil pressure in bars for each different carriage beam.

1090-30 Axle shaft tool 4 & 5 holes

This tool is specially developed for pressing out rusted & glued axle shafts directly on the car. This job only takes 5 min. The holes for the wheel bolts are oval to fit on almost all passenger cars with 4 & 5 holed hubs. With this equipment you avoid heating, splitting of the axle shaft or damage to other parts. Bolt on to the hub using the cars own wheel bolts, attach the cylinder, start pressing and for extra power fit a punching socket 1086-6 and then hammer on it. The tool can also be used for pulling wheel hubs with striking tool 1064 and adaptor 1068.

Rec. cylinder 1090-02-WAL/01-00030.

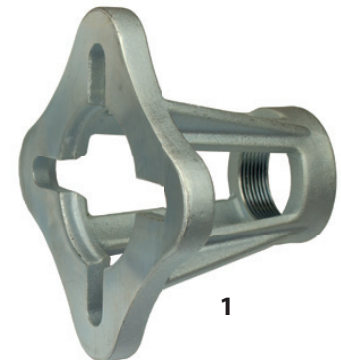
Bolt dia 4 hole – 92-120 mm / 5 hole – 98-131 mm.

For 6/8 bolted; see page 16, part.no. 01-00044.



Parts in the set:

1. 1090-30-4 - Axle shaft tool, 4 holes
2. 1090-30-5 - Axle shaft tool, 5 holes



1064 Striking tool 5,2kg

Ergonomic slide hammer with 5,2 kg weight. Easy to get that extra force because of the side mounted handle. Very useful for dismounting the hub and brake disc at the same time. For use with hub set 1066 or adaptor 1068 for our axle shaft tool 1090-30.



1068 Adaptor from 1064 to 1090-30

Adaptor for using the striking tool 1064 with axle shaft tool 1090-30 for removal of wheel hubs.



Adaptor for other tool systems

1068-05 Adaptor 1 ½" to G2 ½" – 11 (16 and 22 ton cylinder - 32 tons cylinder thread)



1091-28 Axle shaft tool, 5 holes, light commercial vehicles

This tool is specially developed for pressing out rusted & glued axle shafts directly on the vehicle. This job only takes 5 min. The holes for the wheel bolts are oval to fit on all light commercial vehicles with 5 holed hubs. With this equipment you avoid heating, splitting of the axle shaft or damage to other parts. Bolt on to the hub using the cars own wheel bolts, mount the cylinder, start pressing and for extra power fit a punching socket 1086-6 and then hammer on it. **Bolt dia 119-172 mm.**

Included in set 1091-15 and 02-00008.
Rec. cylinder 03-00028.



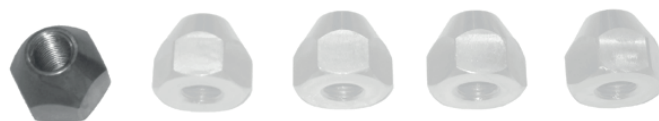
04-00007-001 Special bolt nut M16x1,5

Designed to be used with axle shaft tool 1091-28 when pressing axles or rear wheel bearings. Fits Peugeot Boxer, Citroën Jumper, Fiat Ducato, Renault Master and more. (5 pcs needed).



04-00007-004 Special nut M14x2

Designed to be used with axle shaft tool 1091-28 when pressing axles or rear wheel bearings. Fits Ford Transit. (5 pcs needed).



01-00004 Lock ring tool

A new type of lock ring tool which makes dismounting and mounting of wheel bearing lock rings very easy. The tool is designed to fit both passenger cars, light commercial vehicles and trucks. The adjusting screw has a ¼" ratchet grip which provides enough power to easily remove stuck and rusted lock rings. The grip angle between the tips will also always be correct no matter the size or position of the lock ring. This makes the tool safer, more effective and easier to use than ordinary pliers.

It's delivered with a total of 6 specially designed tips that can easily be switched if needed.

Original since 2010. 6" for superior access.

- 01-00004-013 Circlip pin 2,5 mm, 4pcs
- 01-00004-014 Circlip pin 3 mm, 4pcs
- 01-00004-015 Circlip pin 3,5 mm, 4pcs





L2420 Adapter set for hydraulic fluid



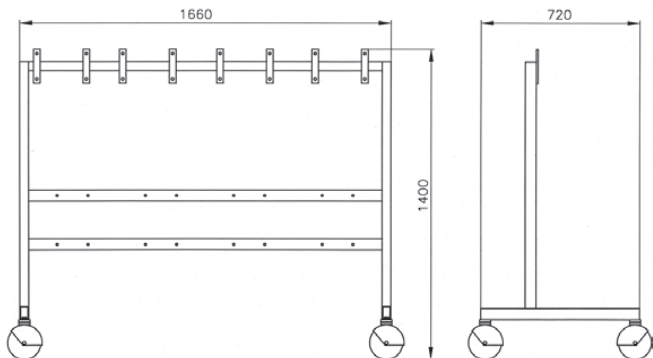
L2330 Adapter set for brake fluid



L2115 Coolant fluid spear



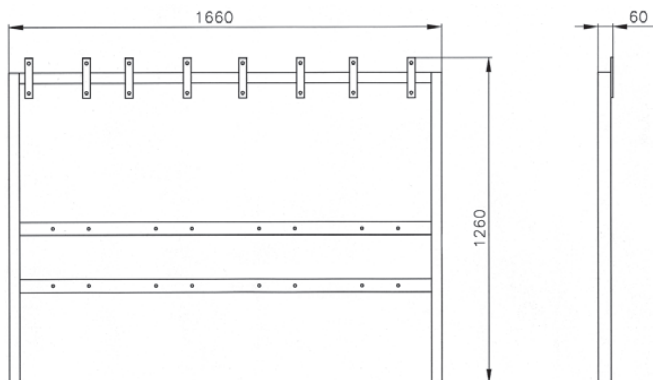
RES L2200-02 Suction probe for wiper fluid



L2510 Mobile stand for draining vessels

Stand with four big wheels (two lockable) for a stable and mobile draining system. Equipped with fittings for 4 vessels, 4 hose reels and air hoses connected to a pneumatic central for easy connection of compressed air.

Dimensions (WxHxD):
1660x1400x720 mm



L2515 Stand for draining vessels

Stand for wall mounting. Equipped with fittings for 4 vessels, 4 hose reels and air hoses connected to a pneumatic central for easy connection of compressed air.

Dimensions (WxHxD):
1660x1260x60 mm

L1020 Hose reel, regular, 9m

Hose reel for coolant, fuel, hydraulic- and wiper-fluid.

It's used with draining vessels L2100/L2200/L2410 and fuel tank drainers L1050-E.

Suitable for mounting on stand L2510, L2515 or a wall.

Hose length: 9 metres

Inner diameter: 1/2"



L2320 Hose reel, brake fluid, 9m

Hose reel for brake fluid which is used with draining vessel L2310.

Suitable for mounting on stand L2510, L2515 or a wall.

Hose length: 9 metres

Inner diameter: 9 mm



L2315 Nippers for brake fluid lines

Nippers for cutting of brake fluid lines without flattening them.



-  **PASSENGER CARS**
-  **LIGHT COMMERCIAL**
-  **TRUCKS**
-  **FUEL HANDLING**
-  **CAR DISMANTLING**

Address

Bultgatan 18
442 40 Kungälv
Sweden

Contact

Tel: +46 (0)303 - 585 80
E-mail: info@wallmek.se

Retailer



www.wallmek.se